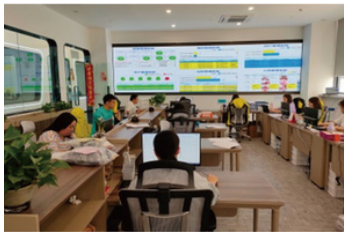


CHOGORI



E-SCOOTER

CONNECTION SOLUTIONS



Orders Centre



Production Line



Machine



Storage



44,000 m²



1,000+ Members



3 Facilities
Dongguan & Shenzhen & Thailand



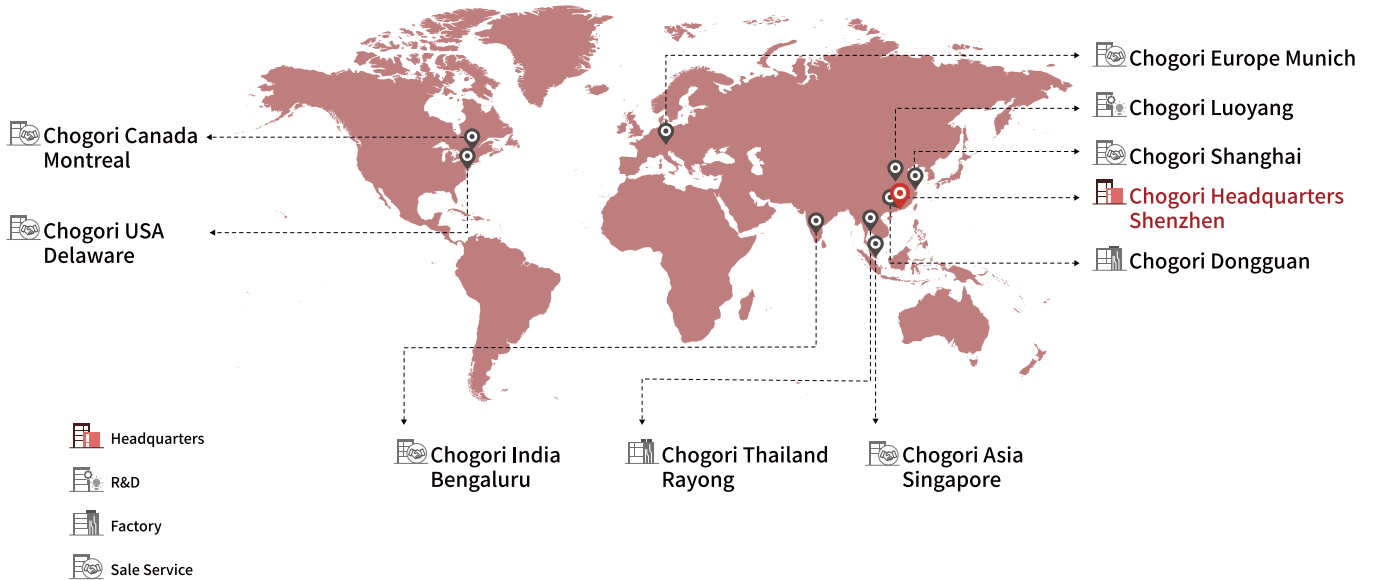
2M Sets
Monthly Capacity

About Us

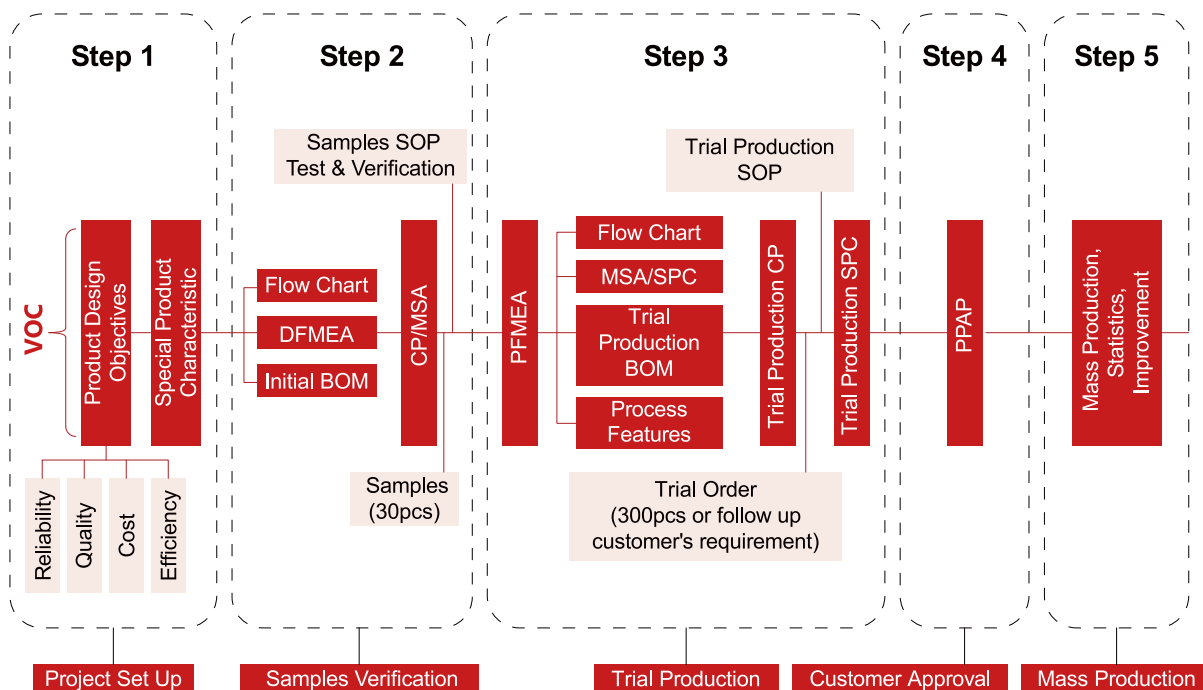
CHOGORI founded in 2007, our products are used in a wide variety of harsh-industrial and outdoor applications in the areas of Electric Scooters, Electric Bicycles, Electric Emerging Markets, Electrical Outdoors, which require connectors and cables to be robust, dust-proof and waterproof.

Chogori has applied Toyota's lean management philosophy since 2013 to improve its operations. We have established International Industry Standard Laboratory, where all products are validated according to USCAR 2, USCAR 37, and DFMEA validation according to specific features required by our customers.

GLOBAL DISTRIBUTION



APQP SYSTEM



INTELLECTUAL PROPERTY

Our company has obtained more than 300 patents (including invention patents, utility model patents and design patents)



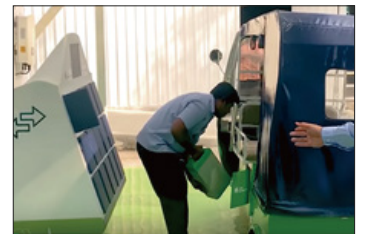
Our company has obtained IATF16949, ISO9001, ISO14001 certification, related products have also obtained CE, UL, TUV, 3C.



RoHS CE



CHOGORI CONNECTION SOLUTIONS FOR E-SCOOTER





CONTENTS

Power Connectors

7	Banga100 2+6 Pin (100A+5A)
8	Bourbon80 2+8 Pin (90A+5A)
9	Bourbon80 3+6 Pin (90A+5A)
10	Mate60 2+4 Pin (60A+5A)
11	Mate60 2+1+5 Pin (60A+15A+5A)
12	Large 2+4 Pin (40A+5A)
13	Large 2+1+5 Pin (40A+15A+5A)
14	FC04 Pro 2+10 Pin (100A+5A)
15	FC09 3+10 Pin (40A+5A)
16	ES-CT6 Pin (25A+2A)
17	Middle 3 Pin (20A)
18	Middle 2+3 Pin (20A+5A)
19	M12 2+3 Pin (15A+2A)

Signal Connectors

20	Micro-A 2-6 Pin (2A)
21	Dream 7 Pin (2A)
22	Dream 11 Pin (2A)

CHOGORI

Banga100 2+6 Pin (100A+5A)

CHOGORI

APPLICATIONS

For E-scooter and E-motorcycle charging and discharging applications



ADVANTAGES

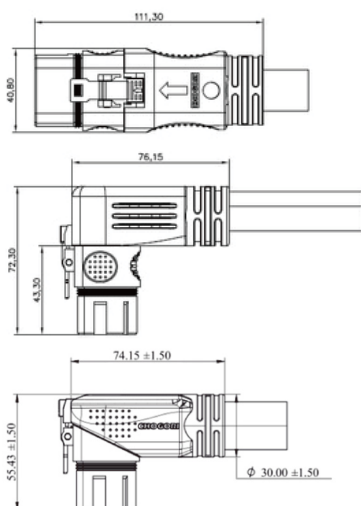
- Lock with latch
- Self-locking button to prevent accidental unlocking
- Up to 6 signal pins
- Audible click when lock engaged
- Countersunk panel mount solution with 90 degree cable out to reduce the overall height
- RoHS and REACH compliant
- IPXXB

SPECIFICATIONS

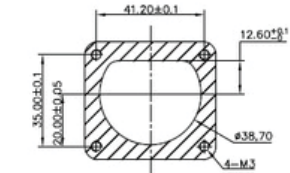
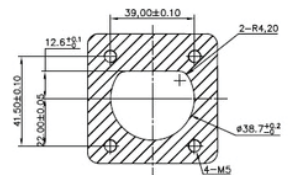
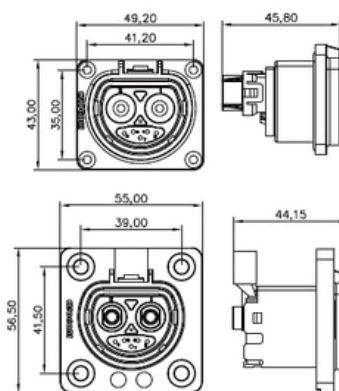
Mating Cycle: ≥3000 Cycles	Voltage Rating: 630V DC(Power) 100V DC(Signal)	Operating Temperature: -40°C to 105°C	Wire Gauge: Power 25mm ² / Max Signal 20AWG/ Max
Pullout Force: <130N	Current Rating: 100A+5A	IP Rating: IPX6 Mated; IPX7 Panel Side	
Wire Processing: Crimp(Power) Solder(Signal)	Peak Current: Power 180A 30S Withstand Voltage: 3500V AC(Power) 1500V AC(Signal)	Salt Spray: 5%Nacl, 48H Flammability Rating: UL94 V-0(Plastic material)	
	Insulation Resistance: >500MΩ at DC 500V		

DIMENSIONS

Plug



Panel



Panel Thickness: ≤5mm

APPLICATIONS

For E-scooter charging and discharging applications



ADVANTAGES

- Push-lock locking mechanism, plug in & out easy and smooth
- Locking nut with hand grip, easy access
- Safety, with finger touch proof, IPXXB protection level
- With audible click when locking engaged
- RoHS and REACH compliant

SPECIFICATIONS

Mating Cycle:
≥3000 Cycles

Pullout Force:
<120N

Wire Processing:
Crimp(Power)

+Solder(Signal) / Plug Side
Crimp / Panel Side

Voltage Rating: 300V AC (Power)
100V AC (Signal)

Current Rating: 90A+5A

Peak Current: Power 150A 10S

Withstand Voltage: 2000V AC(Power)
1500V AC(Signal)

Insulation Resistance:
500MΩ at DC 500V

Operating Temperature: -40°C to 105°C
IP Rating: IP67 Mated; IP67 Panel Side

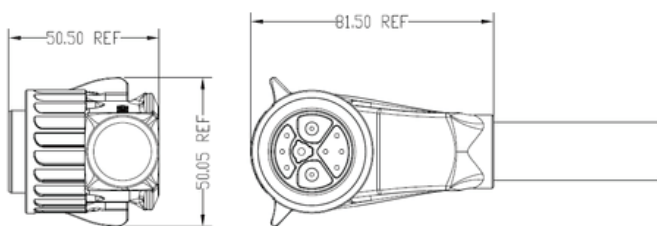
Salt Spray: 5%NaCl, 48H

Flammability Rating:
UL94 V-0(Plastic material)

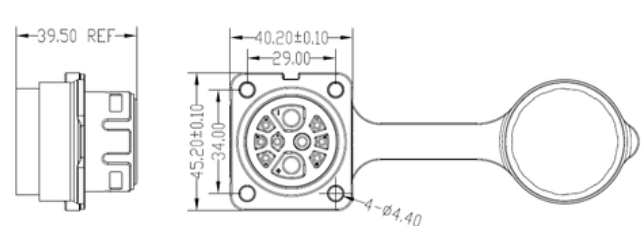
Wire Gauge:
Power 5AWG/ Max
Signal 20AWG/ Max

DIMENSIONS

Plug



Panel



Panel Thickness: ≤5mm

APPLICATIONS

For E-scooter charging and discharging applications



ADVANTAGES

- Push-lock locking mechanism, plug in & out easy and smooth
- Locking nut with hand grip, easy access
- Safety, with finger touch proof, IPXXB protection level
- With audible click when locking engaged
- RoHS and REACH compliant

SPECIFICATIONS

Mating Cycle:
≥3000 Cycles

Pullout Force:
<120N

Wire Processing:
Crimp(Power)
+Solder(Signal) / Plug Side
Crimp / Panel Side

Voltage Rating: 300V AC (Power)
100V AC (Signal)

Current Rating: 90A+ 5A
Withstand Voltage: 2000V AC(Power)
1500V AC(Signal)

Insulation Resistance:
500MΩ at DC 500V

Operating Temperature:
-40°C to 105°C/ Plug Side
-40°C to 125°C/ Panel Side

IP Rating: IP67 Mated; IP67 Panel Side

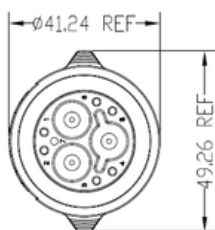
Salt Spray: 5%NaCl, 48H

Flammability Rating:
UL94 V-0(Plastic material)

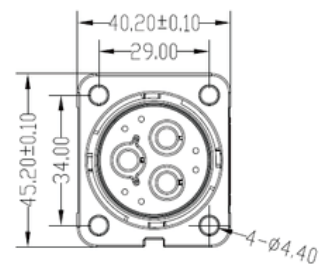
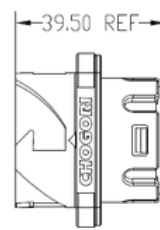
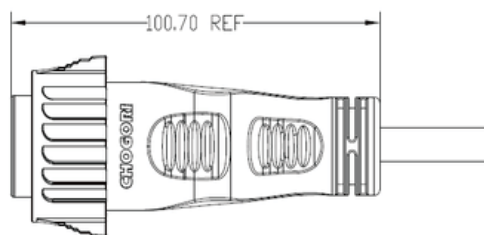
Wire Gauge:
Power 5AWG/ Max
Signal 20AWG/ Max

DIMENSIONS

Plug



Panel



Panel Thickness: ≤5mm

APPLICATIONS

For E-scooter and E-motorcycle charging and discharging applications



ADVANTAGES

- Push-lock mechanism
- Locking nut with lever
- IPXXB, IP67
- Audible click when lock engaged
- 3 dots design increase stable connection in vibrating environment
- Countersunk panel mount solution with 90 degree cable out to reduce the overall height
- RoHS and REACH compliant

SPECIFICATIONS

Mating Cycle: ≥ 5000 Cycles

Pullout Force: $< 100N$

Wire Processing:

Solder / Plug Side Gauge $< 8AWG$

Crimp(Power)

+Solder(Signal) / Plug Side Gauge 8AWG

Crimp / Panel Side

Voltage Rating: 125V DC(Power)
80V DC(Signal)

Current Rating: 60A+5A

Peak Current: Power 80A 60S

Withstand Voltage: 1500V AC

Insulation Resistance:

$> 100M\Omega$ at DC 500V

Operating Temperature:
 $-40^{\circ}C$ to $105^{\circ}C$

IP Rating:

IP67 Mated; IP67 Panel Side

Salt Spray: 5%NaCl, 48H

Flammability Rating:

UL94 V-0(Plastic material)

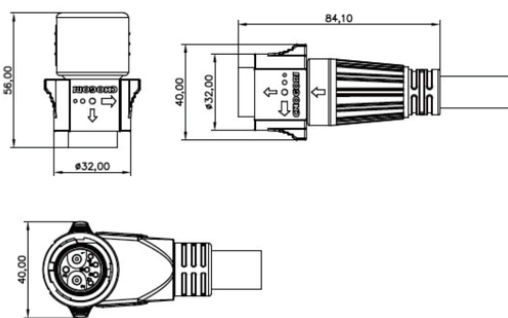
Wire Gauge:

Power 8AWG/ Max

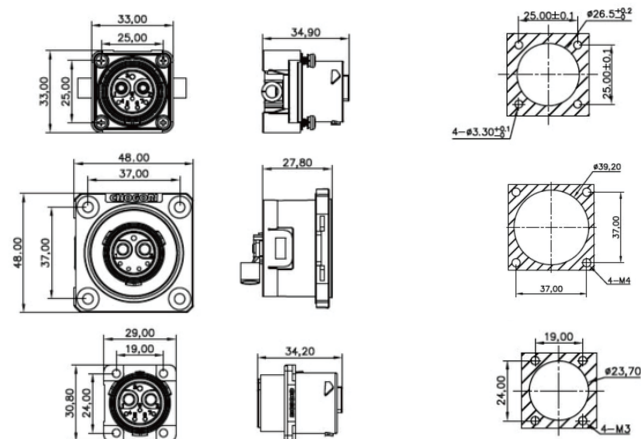
Signal 20AWG/ Max

DIMENSIONS

Plug



Panel



Panel Thickness: $\leq 5mm$

APPLICATIONS

For E-scooter and E-motorcycle charging and discharging applications



ADVANTAGES

- Push-lock mechanism
- Locking nut with lever
- IPXXB, IP67
- Audible click when lock engaged
- 3 dots design increase stable connection in vibrating environment
- Countersunk panel mount solution with 90 degree cable out to reduce the overall height
- RoHS and REACH compliant

SPECIFICATIONS

Mating Cycle: ≥ 5000 Cycles

Pullout Force: $< 100N$

Wire Processing:

Solder / Plug Side Gauge $< 8AWG$

Crimp(Power)

+Solder(Signal) / Plug Side Gauge 8AWG

Crimp / Panel Side

Voltage Rating: 125V DC(Power)
80V DC(Signal)

Current Rating: 60A+15A+5A

Peak Current: Power 80A 60S

Withstand Voltage: 1500V AC

Insulation Resistance:

$> 100M\Omega$ at DC 500V

Operating Temperature:

$-40^{\circ}C$ to $105^{\circ}C$

IP Rating:

IP67 Mated; IP67 Panel Side

Salt Spray: 5%NaCl, 48H

Flammability Rating:

UL94 V-0(Plastic material)

Wire Gauge:

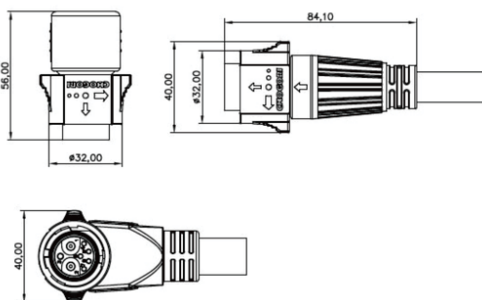
Power 8AWG/ Max

Charger 16AWG/ Max

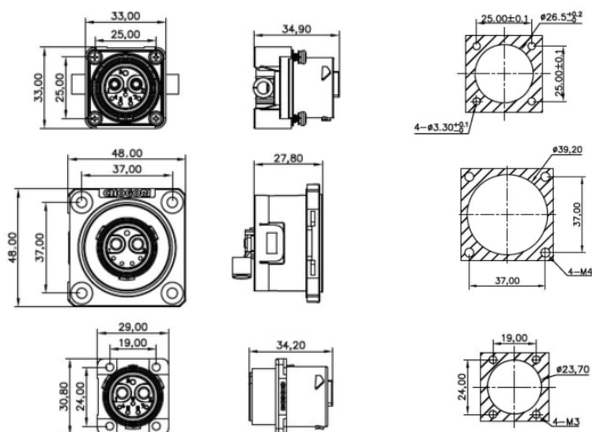
Signal 20AWG/ Max

DIMENSIONS

Plug



Panel



Panel Thickness: $\leq 5mm$

Large 2+4 Pin (40A+5A)

CHOGORI

APPLICATIONS

For E-scooter charging and discharging applications



ADVANTAGES

- Push-lock mechanism
- With audible click when locking engaged
- Overmold plug meets 10000 times bending test
- Panel mount solution with 90 degree cable out to reduce the overall height
- Lock nut with wings available to make disconnecting easier
- RoHS and REACH compliant

SPECIFICATIONS

Mating Cycle: ≥ 3000 Cycles
Pullout Force: $< 100\text{N}$
Wire Processing: Solder

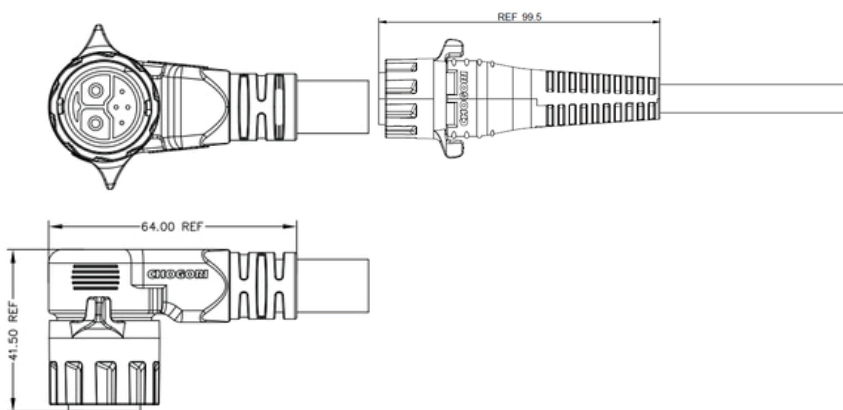
Voltage Rating: 80V DC
Current Rating: 40A+5A
Withstand Voltage: 1500V AC
Insulation Resistance:
 $> 100\text{M}\Omega$ at DC 500V

Operating Temperature: -40°C to 105°C
IP Rating: IP67 Mated
Salt Spray: 5%NaCl, 48H
Flammability Rating:
UL94-HB(Plastic material)/ Plug Side
UL94 V-0(Plastic material)/ Panel Side

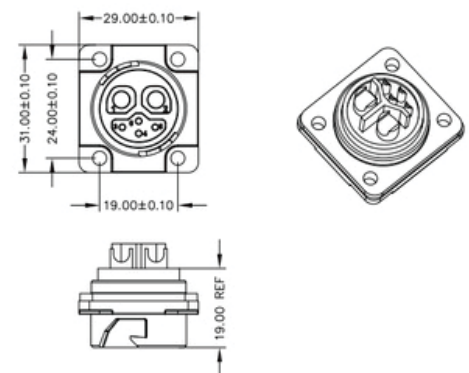
Wire Gauge:
Power 9AWG/ Max
Signal 20AWG/ Max

DIMENSIONS

Plug



Panel



Panel Thickness: $\leq 5\text{mm}$

Large 2+1+5 Pin (40A+15A+5A)

CHOGORI

APPLICATIONS

For E-scooter charging and discharging applications



ADVANTAGES

- Push-lock mechanism
- With audible click when locking engaged
- Panel mount solution with 90 degree cable out to reduce the overall height
- Lock nut with wings available to make disconnecting easier
- RoHS and REACH compliant

SPECIFICATIONS

Mating Cycle: ≥ 3000 Cycles
Pullout Force: $< 100\text{N}$
Wire Processing: Solder

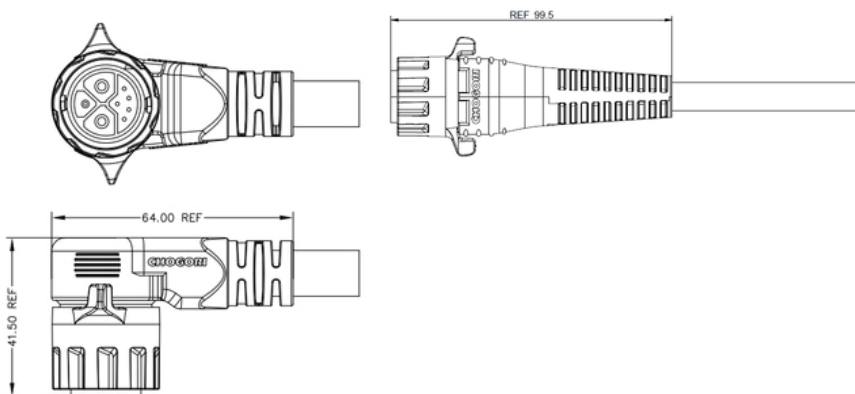
Voltage Rating: 80V DC
Current Rating: 40A+15A+5A
Withstand Voltage: 1500V AC
Insulation Resistance:
 $> 100\text{M}\Omega$ at DC 500V

Operating Temperature: -40°C to 105°C
IP Rating: IP67 Mated
Salt Spray: 5%NaCl, 48H
Flammability Rating:
UL94-HB(Plastic material)/ Plug Side
UL94 V-0(Plastic material)/ Panel Side

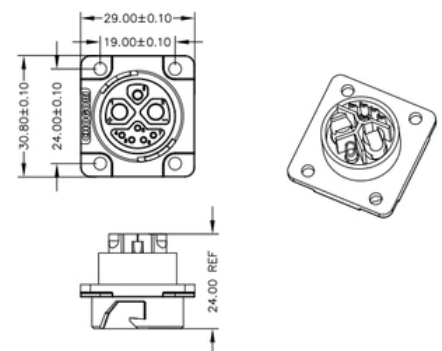
Wire Gauge:
Power 9AWG/ Max
Signal 16AWG/ Max
Signal 20AWG/ Max

DIMENSIONS

Plug



Panel



Panel Thickness: $\leq 5\text{mm}$

APPLICATIONS

For E-scooter and E-motorcycle charging and discharging, swappable battery applications



ADVANTAGES

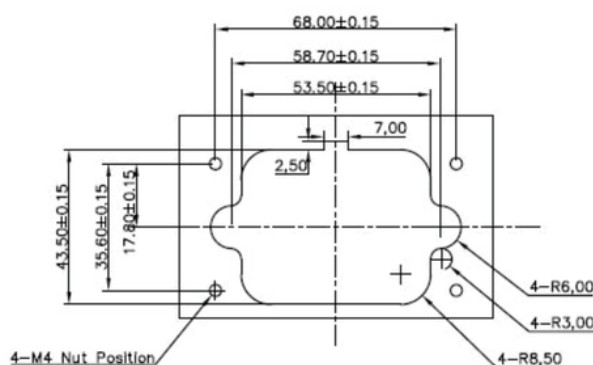
- 2 power + 10 signal pins layout
- 1mm self-floating
- 5.7mm NEWSOK power terminal-Chogori patented technology with high reliability, high current transmission capacity
- RoHS and REACH compliant

SPECIFICATIONS

Mating Cycle: ≥ 5000 Cycles	Voltage Rating: 80V DC	Operating Temperature: -40°C to 105°C	Guide Post: Stainless Steel
Pullout Force: $< 100\text{N}$	Current Rating: 100A+5A	IP Rating: IPX7 Battery Side	Wire Gauge:
Wire Processing: Crimp	Withstand Voltage: 1500V AC	Salt Spray: 5%NaCl, 48H	Power 25mm ² / Max
	Insulation Resistance:	Flammability Rating:	Signal 20AWG/ Max
	$> 500\text{M}\Omega$ at DC 500V	UL94 V-0(Plastic material)	

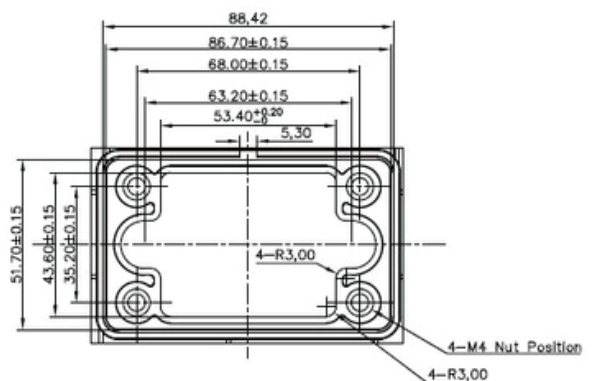
DIMENSIONS

Vehicle Side



Panel Thickness: $\leq 5\text{mm}$

Battery Side



Panel Thickness: $\leq 3\text{mm}$

FC09 3+10 Pin (40A+5A)

CHOGORI

APPLICATIONS

For E-scooter and E-motorcycle charging and discharging, swappable battery applications



ADVANTAGES

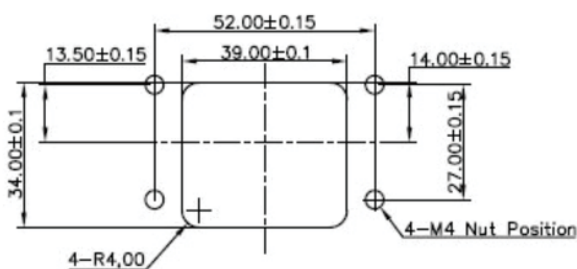
- 3 power + 10 signal pins layout
- 1mm self-floating
- 3.6mm NEWSOK power terminal-Chogori patented technology with high reliability high current transmission capacity
- Bi-direction insertion
- RoHS and REACH compliant

SPECIFICATIONS

Mating Cycle: ≥ 5000 Cycles	Voltage Rating: 72V DC	Operating Temperature: -40°C to 105°C	Guide Post: Stainless Steel
Pullout Force: $< 100\text{N}$	Current Rating: 40A+5A	IP Rating: IPX7 Battery Side	Wire Gauge:
Wire Processing: Crimp	Peak Current: Power 60A 30S	Salt Spray: 5%Nacl, 48H	Power 8AWG/ Max
	Withstand Voltage: 1500V AC	Flammability Rating:	Signal 20AWG/ Max
	Insulation Resistance:	UL94 V-0(Plastic material)	
	$> 200\text{M}\Omega$ at DC 500V		

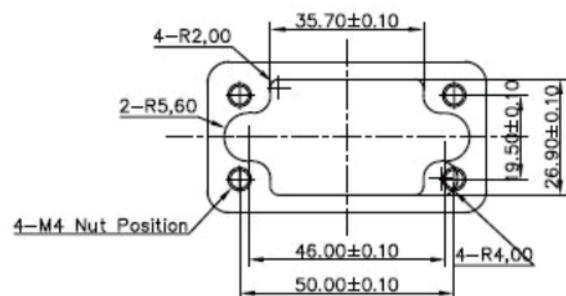
DIMENSIONS

Vehicle Side



Panel Thickness: $\leq 3\text{mm}$

Battery Side



Panel Thickness: $\leq 3\text{mm}$

APPLICATIONS

For E-scooter charging application, for assembly type cable applications



ADVANTAGES

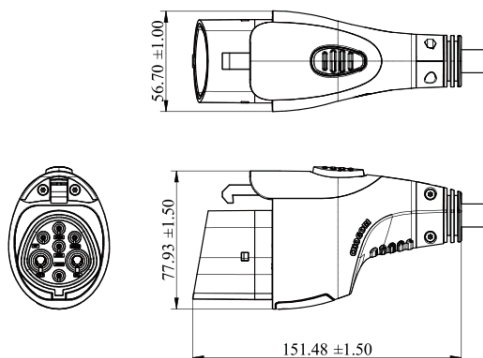
- Push and press for locking and unlocking, easy to use
- Small in form factor, easy to carry
- CKD design
- With micro switch
- IS 17017_2_6/IEC 62196-6 standard interface
- RoHS and REACH compliant

SPECIFICATIONS

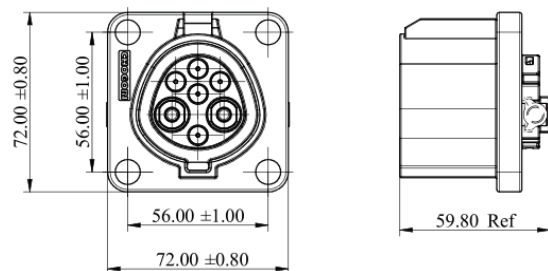
Mating Cycle: ≥10000 Cycles	Voltage Rating: 120V DC (Power) 30V DC (Signal)	Operating Temperature: -40°C to 105°C	Wire Gauge: Power 12AWG/ Max Signal 20AWG/ Max
Mating/ Unmating force: <100N	Current Rating: 25A+2A	IP Rating: IP55 Mated	
Wire Processing: Crimp	Withstand Voltage: 2000V AC(Power) 500V AC(Signal)	Salt Spray: 5%Nacl, 48H	
	Insulation Resistance: >100MΩ at DC 500V	Flammability Rating: UL94 V-0(Plastic material)	

DIMENSIONS

Charging Gun



Charging Inlet



Middle 3 Pin (20A)

APPLICATIONS

For E-scooter charging application, for assembly type cable applications



ADVANTAGES

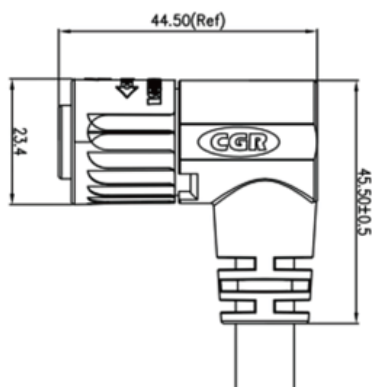
- Push-lock mechanism
- Audible click when lock engaged
- RoHS and REACH compliant

SPECIFICATIONS

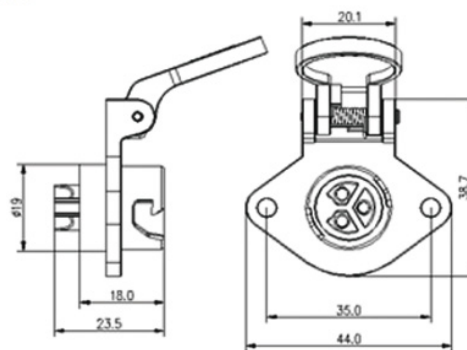
Mating Cycle: ≥ 500 Cycles	Voltage Rating: 300V DC	Operating Temperature: -40°C to 105°C	Wire Gauge: 14AWG/ Max
Pullout Force: $< 100\text{N}$	Current Rating: 20A	IP Rating: IP67 Mated	
Wire Processing: Solder	Withstand Voltage: 2000V AC	Salt Spray: 5%NaCl, 48H	
	Insulation Resistance: $> 100\text{M}\Omega$ at DC 500V	Flammability: UL94-HB(Plastic material)/ Plug Side	
		Rating: UL94 V-0(Plastic material)/ Panel Side	

DIMENSIONS

Plug



Panel



Panel Thickness: $\leq 5\text{mm}$

Middle 2+3 Pin (20A+5A)

APPLICATIONS

For E-scooter charging and discharging applications



ADVANTAGES

- Power and signal wires combination
- With audible click when locking engaged
- RoHS and REACH compliant

SPECIFICATIONS

Mating Cycle: ≥ 500 Cycles
Pullout Force: $< 100\text{N}$
Wire Processing: Solder

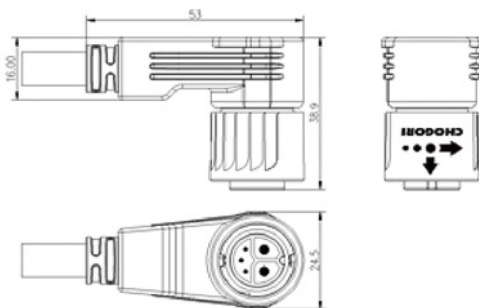
Voltage Rating: 300V DC
Current Rating: 20A+5A
Withstand Voltage: 2000V AC
Insulation Resistance:
 $> 100\text{M}\Omega$ at DC 500V

Operating Temperature: -40°C to 105°C
IP Rating: IP67 Mated
Salt Spray: 5%NaCl, 48H
Flammability UL94-HB(Plastic material)/ Plug Side
Rating: UL94 V-0(Plastic material)/ Panel Side

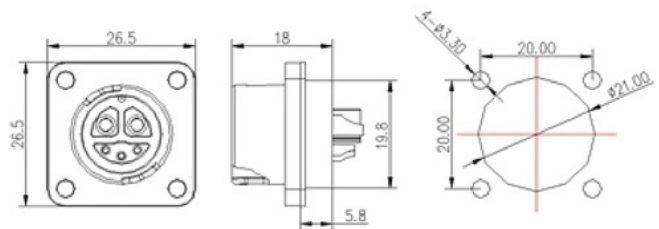
Wire Gauge:
Power 14AWG/ Max
Signal 20AWG/ Max

DIMENSIONS

Plug



Panel



Panel Thickness: $\leq 5\text{mm}$

M12 2+3 Pin (15A+2A)

APPLICATIONS

For E-scooter charging and discharging applications, cable solutions



ADVANTAGES

- Metal nut connection, smooth feeling
- Power and signal wires combination
- Overmold structure, clean and flexible
- RoHS and REACH compliant

SPECIFICATIONS

Mating Cycle: ≥ 200 Cycles

Pullout Force: $< 100\text{N}$

Wire Processing: Solder

Voltage Rating: 32V AC

Current Rating: 15A+2A

Withstand Voltage: 650V AC

Insulation Resistance:

$> 100\text{M}\Omega$ at DC 500V

Operating Temperature: -25°C to 85°C

IP Rating: IP67 Mated

Salt Spray: 5%NaCl, 48H

Flammability Rating:

UL94 V-0(Plastic material)

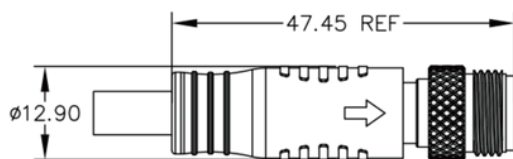
Wire Gauge:

Power 16AWG/ Max

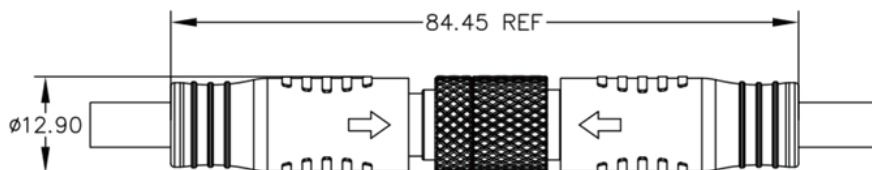
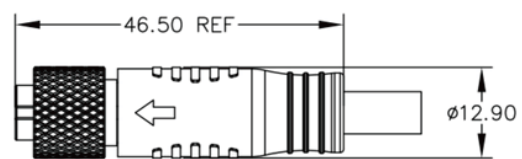
Signal 24AWG/ Max

DIMENSIONS

Male Plug



Female Plug



Micro-A 2-6 Pin (2A)

APPLICATIONS

Signal connectors for harsh environments



ADVANTAGES

- Quick connect and disconnect
- Small size
- Overmold structure, clean and flexible
- RoHS and REACH compliant

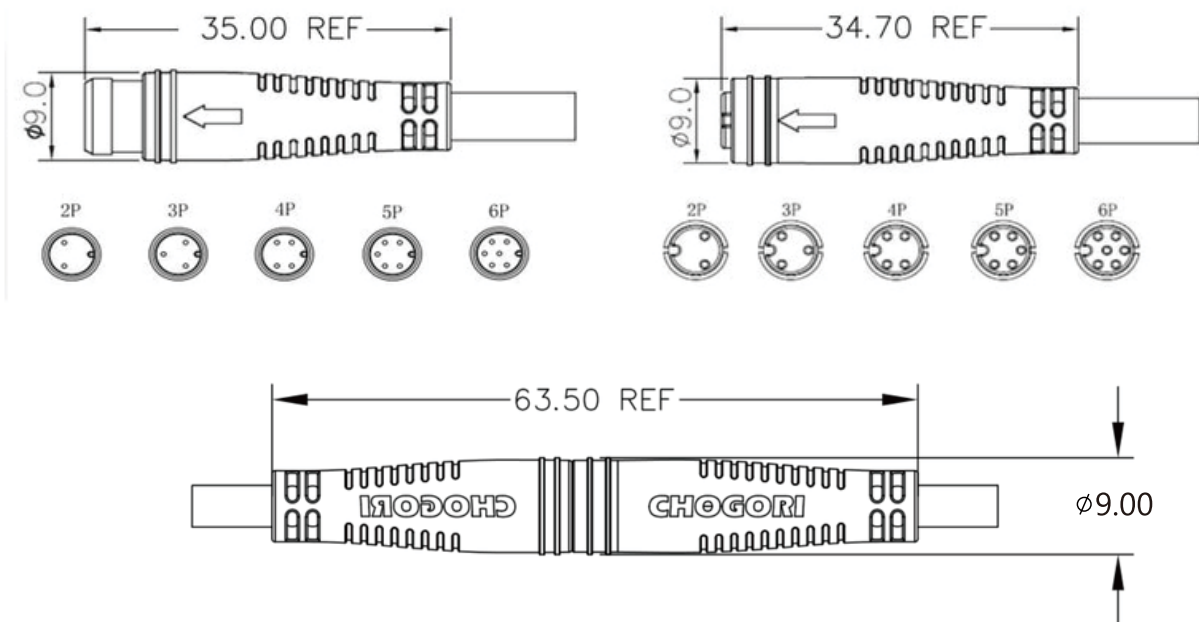
SPECIFICATIONS

Mating Cycle: ≥ 200 Cycles	Voltage Rating: 48V AC/ 60V DC	Operating Temperature: -25°C to 80°C	Wire Gauge:
Pullout Force: $>30\text{N}$	Current Rating: 2A	IP Rating: IP66 Mated	2-4 Pin 24AWG/ Max
Wire Processing: Solder	Withstand Voltage: 500V AC	Salt Spray: 5%NaCl, 48H	5-6 Pin 26AWG/ Max
	Insulation Resistance: $>20\text{M}\Omega$ at DC 250V	Flammability Rating: UL94 V-0	

DIMENSIONS

Male Plug

Female Plug



APPLICATIONS

Signal connectors for harsh environments



ADVANTAGES

- Quick connect
- Small size
- Overmold structure, clean and flexible
- RoHS and REACH compliant

SPECIFICATIONS

Mating Cycle: ≥ 200 Cycles

Pullout Force: $> 30N$

Wire Processing: Solder

Voltage Rating: 48V AC/ 60V DC

Current Rating: 2A

Withstand Voltage: 500V AC

Insulation Resistance: $> 20M\Omega$ at DC 500V

Operating Temperature: $-25^{\circ}C$ to $80^{\circ}C$

IP Rating: IP66 Mated

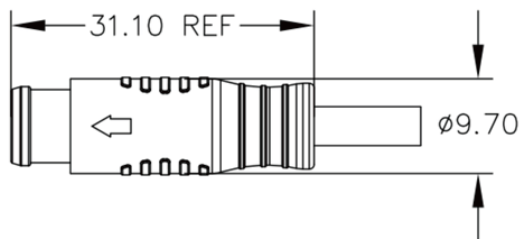
Salt Spray: 5%NaCl, 48H

Flammability Rating: UL94-HB

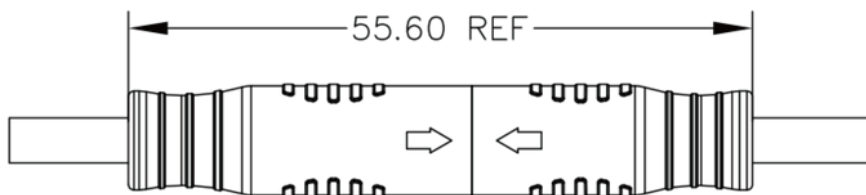
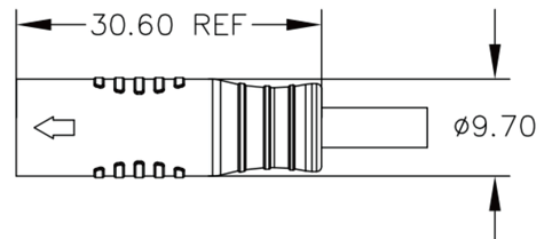
Wire Gauge: 24AWG/ Max

DIMENSIONS

Male Plug



Female Plug



APPLICATIONS

Signal connectors for harsh environments



ADVANTAGES

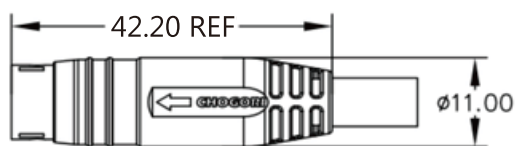
- Quick connect
- Small size
- Overmold structure, clean and flexible
- RoHS and REACH compliant

SPECIFICATIONS

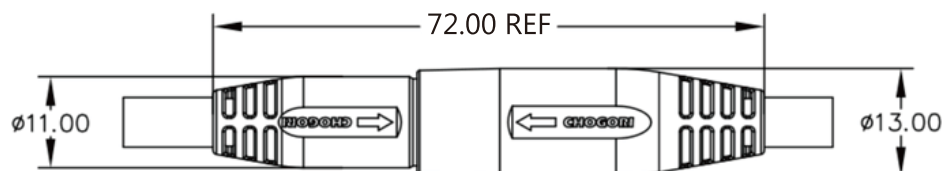
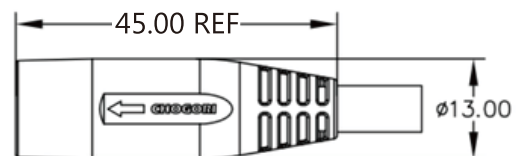
Mating Cycle: ≥ 200 Cycles	Voltage Rating: 48V AC/ 60V DC	Operating Temperature: -25°C to 85°C	Wire Gauge: 26AWG/ Max
Pullout Force: 30-100N	Current Rating: 2A	IP Rating: IPX7 Mated	
Wire Processing: Solder	Withstand Voltage: 250V AC	Salt Spray: 5%NaCl, 48H	
	Insulation Resistance: $>20\text{M}\Omega$ at DC 250V	Flammability Rating: UL94 V-0	

DIMENSIONS

Male Plug

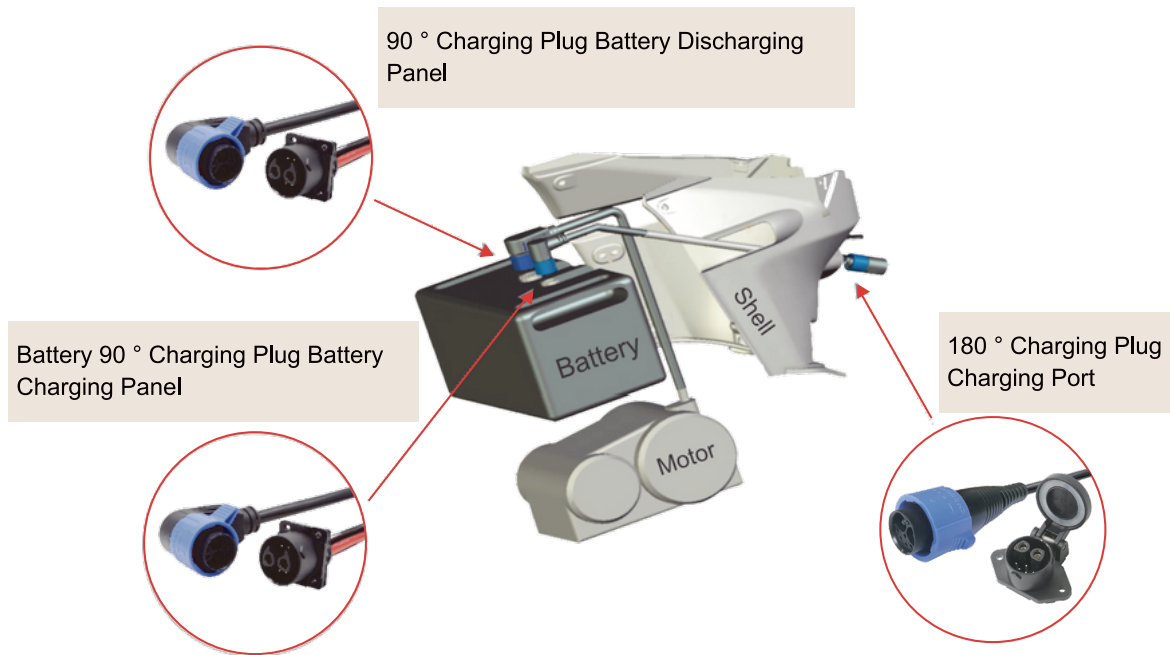


Female Plug

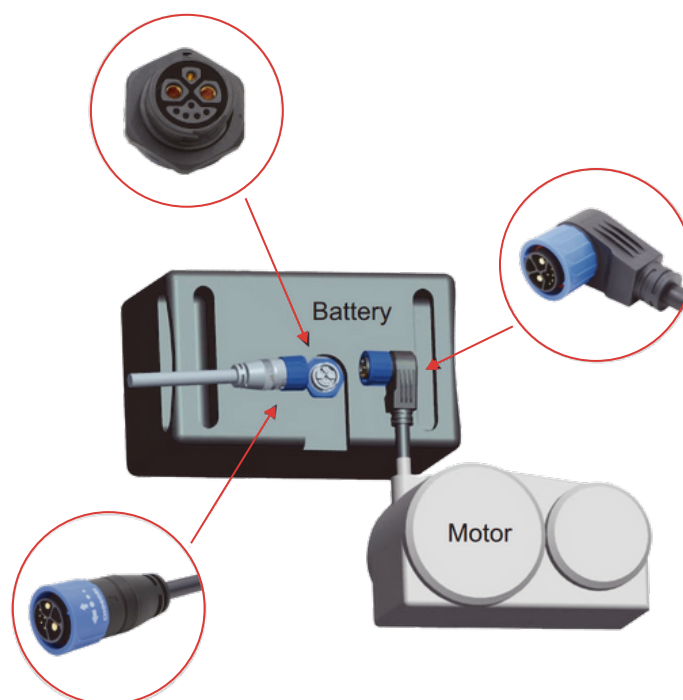


APPLICATIONS

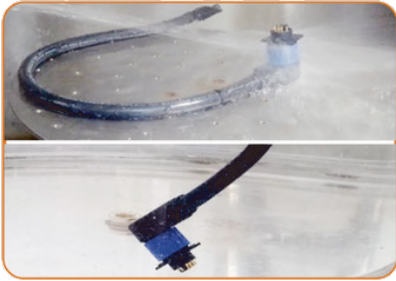
Battery With Different Interfaces For Charging And Discharging



Battery With Same Interfaces For Charging And Discharging



HIGH RELIABILITY CONNECTION SYSTEM



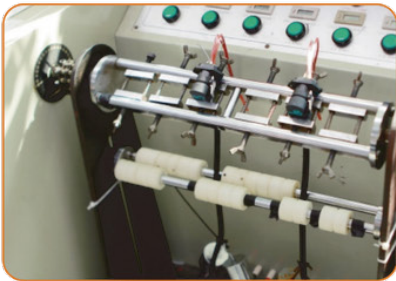
High pressure spray and waterproof test



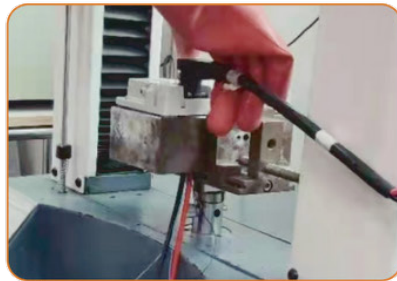
Vibration test



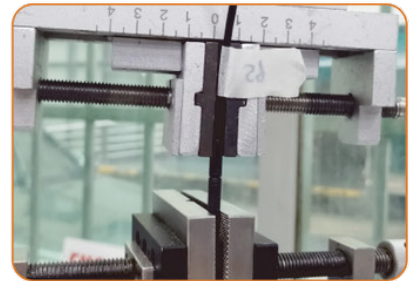
High and low temperature test



Wire bending test



Plug and remove life test



Insertion and removal force test



Temperature rise test



Machine working equipment



Automated connector production equipment



House of lean manufacturing



U-shaped production line



Kanban system



Chogori Technology Co., Ltd
Building E, Zhonggangxing Industrial Zone, Zhangge Village,
Longhua District, Shenzhen, China.
www.chogori-tech.com

Discover our complete range of connector applications

