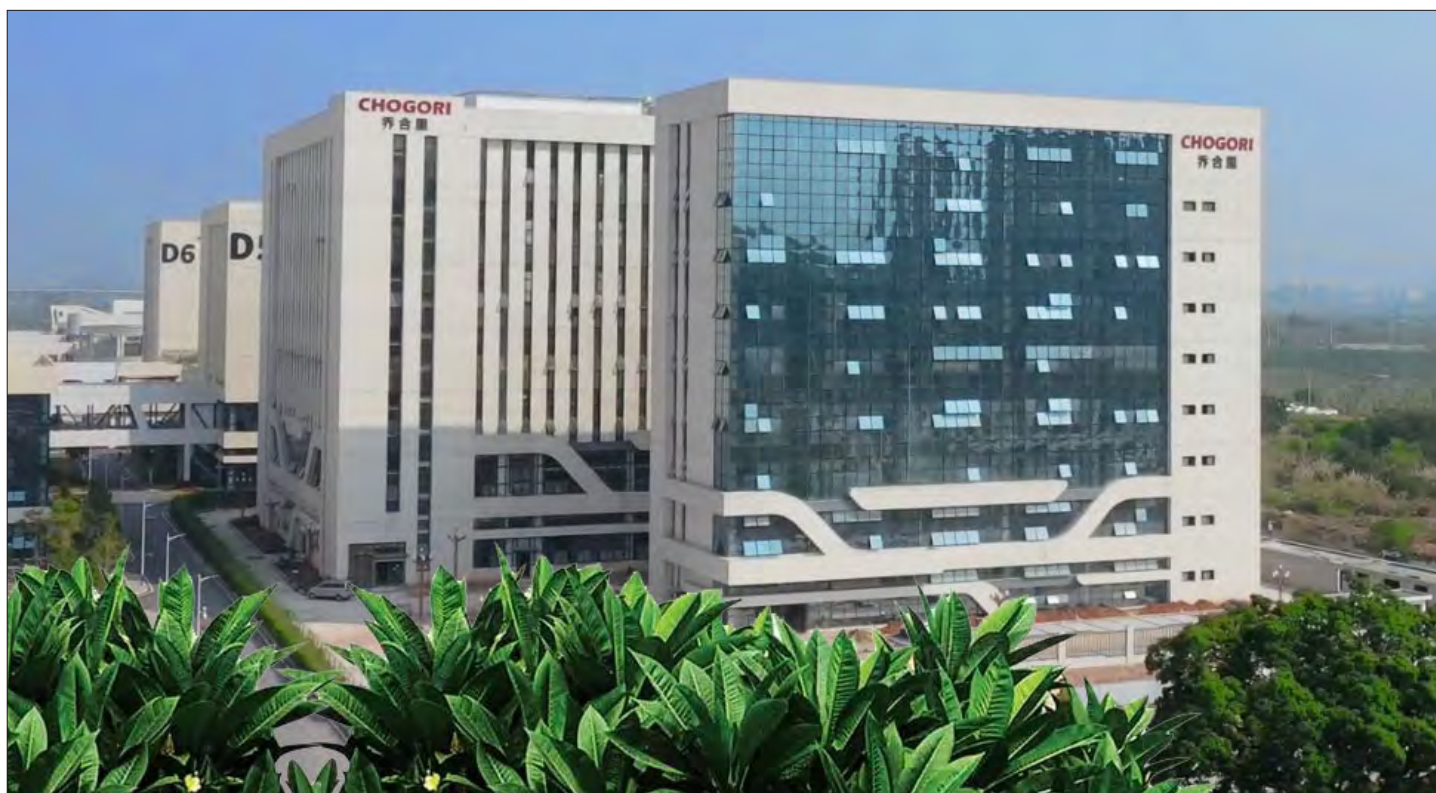


CHOGORI®

We Power Your Equipment

EV Connector Solutions





About

Founded in 2007, Chogori Technology Co., Ltd designs and manufactures a wide range of environmentally sealed and rugged connectors for harsh environment and outdoor applications. 10 products series and 3,000+ standard products with UL, CCC, CE, TUV. We obtained IATF 16949 certificate in 2016 and successfully passed the new standard IATF16949 in 2018.

All products are tested in the laboratory in accordance with the standard of USCAR2&37, while adding the customer's special characteristics and adding the failure verification of components in DFMEA.

Our products are also used in a wide variety of harsh-industrial and outdoor applications in the areas of Electric Bike, Electric Motorcycle, Industrial Automation, Marine Electronics, Renewable Energy, New Energy Vehicles, Engineering Machinery, and other emerging industries which require connectors and cables to be robust, dust-proof and waterproof. With such high demands for industrial applications, we can provide superior performance, with smaller size and lower cost industrial connectors based on our NEWSOK high current technology which acquired patents from China, USA and Germany.

To achieve consistent quality and brand influence, Chogori introduced outstanding management and technical team from the internationally renowned connector companies and well-known car company in North America and set-up the "Lean Management Philosophy" from 2013. From then, Chogori uses standardization, 5S, JIT training, A3 thinking, Kanban and other lean tools to enhance the service quality, technical support, cost control and delivery, building a strong capability and a solid foundation for Chogori to be an International Industry Connector Brand.

TABLE OF CONTENTS

Battery Connectors Page 3



Middle 3 Pin
Page 3



Large 3 Pin
Page 4



Mate 60 2+1+5
Page 5



Mate 60 2+4
Page 6



Mate 60 2+8
Page 7



KR 2+6
Page 8



Banga 100
Page 9

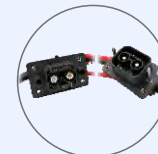


Banga X100
Page 10



KL 08
Page 11

Battery Swapping Connectors Page 12



FC 04
Page 12



FC 09
Page 13

Signal Connectors Page 14



Micro-A 2 to 6 Pin
Page 14



Dream 7 Pin
Page 15



Dream 11 Pin
Page 16



2-Core Coaxial
Page 17



Motor 3+6
Page 18

Middle 3 Pin

Application

High Power and Lithium Charging

Advantages

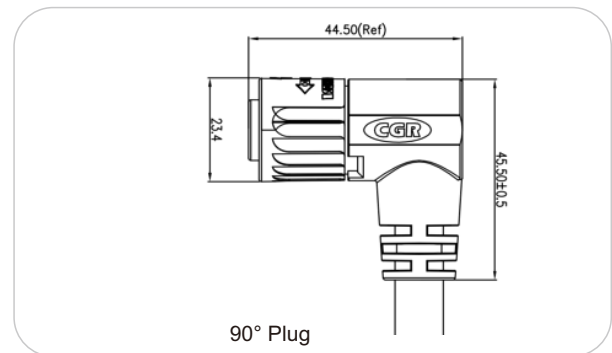
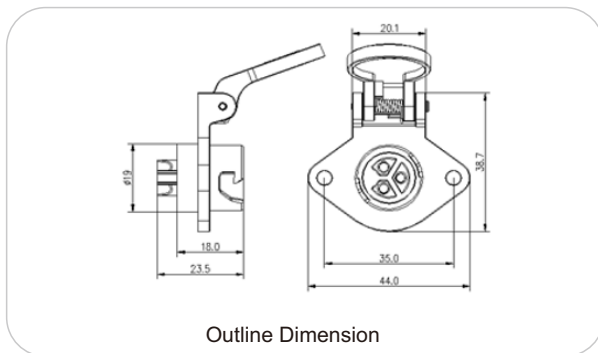
- Clamshell structure
- Push-lock mechanism
- Audible click when lock engaged
- ≥ 2000 times mating cycles
- One-piece plug injection molding with compact size
- RoHS and Reach Compliant



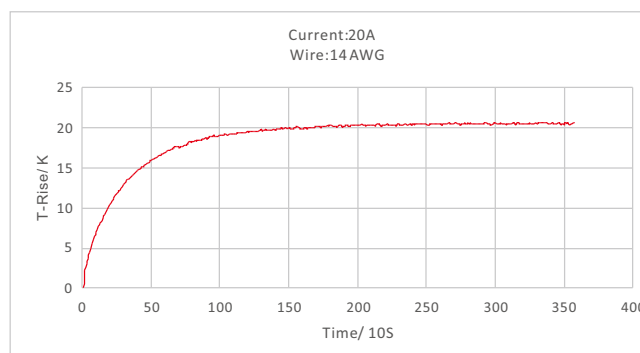
Specifications

Mating Cycle: ≥ 2000 Times	Voltage Rating: 250V DC	Operating Temperature: -40°C to 105°C	Shell: High Strength Thermoplastic Resin
Pullout Force: $< 100\text{N}$	Current Rating: 20A	IP Rating: IP67 Mated	Sealing: Silicone Rubber
Wire processing: Solder	Withstand Voltage: 1500V AC	Salt Spray: 48h	Conductor: Copper Alloy, Silver/ Gold Plated
	Insulation Resistance: $> 100\text{M}\Omega$	Flammability Rating: UL94V-0	

Dimensions



Temperature Curve



Large 3 Pin



Application

High Power and Lithium Charging

Advantages

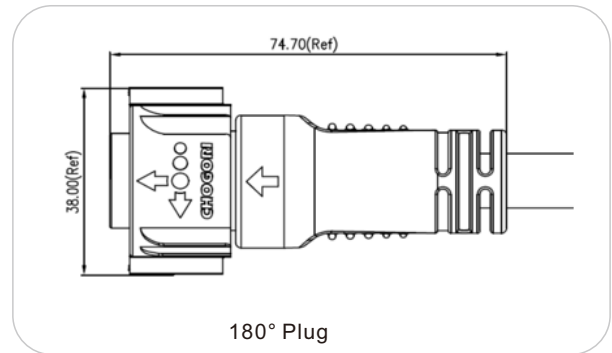
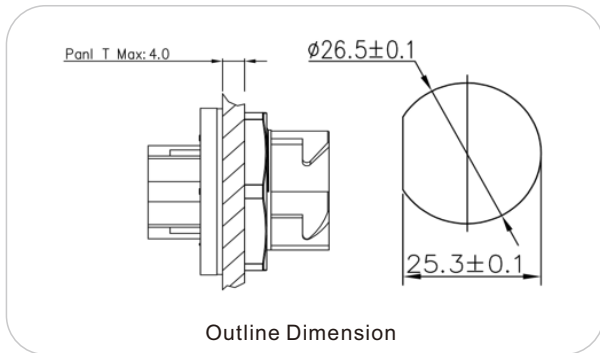
- Four key push lock mechanism
- Audible click when lock engaged
- ≥2000 times mating cycles
- One-piece plug injection molding
- Partition wall between the terminal for voltage applications
- RoHS and Reach Compliant
- UL2238



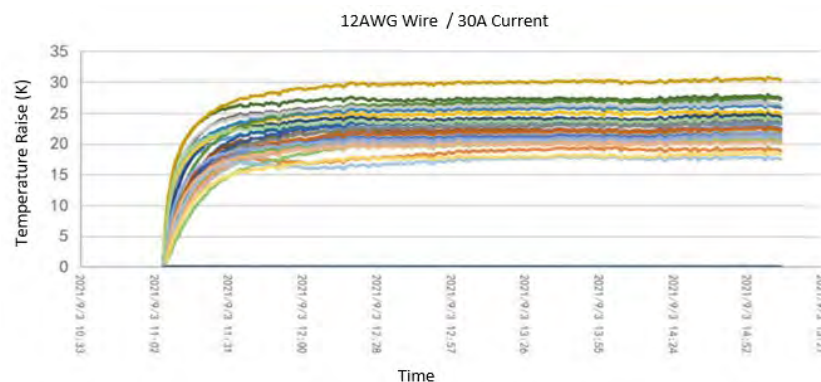
Specifications

Mating Cycle: ≥2000 Times	Voltage Rating: 600V	Operating Temperature: -40°C to 105°C	Shell: High Strength Thermoplastic Resin
Pullout Force: <100N	Current Rating: 50A	IP Rating: IP67 Mated	Sealing: Silicone Rubber
Wire processing: Solder	Withstand Voltage: 2500V DC	Salt Spray: 48h	Conductor: Copper Alloy, Silver/ Gold Plated
	Insulation Resistance: >100MΩ	Flammability Rating: UL94V-0	

Dimensions



Temperature Curve



Mate 60 2+1+5 Pin



Application

High Power and Lithium Charging

Advantages

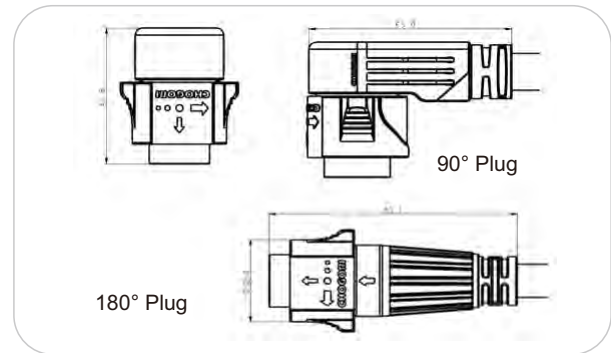
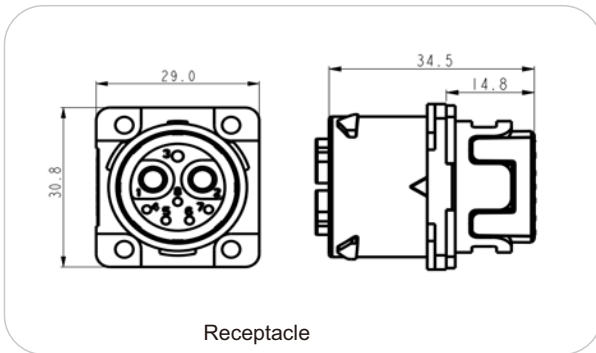
- Push-lock mechanism
- Locking nut with hand grip
- Finger touch proof, IPXXB protection level
- Audible click when lock engaged
- ≥3000 times mating cycles
- RoHS and Reach Compliant



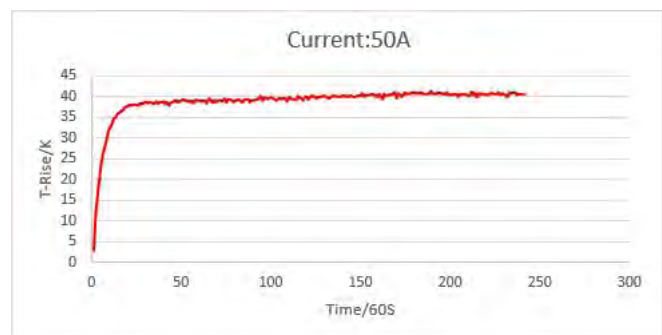
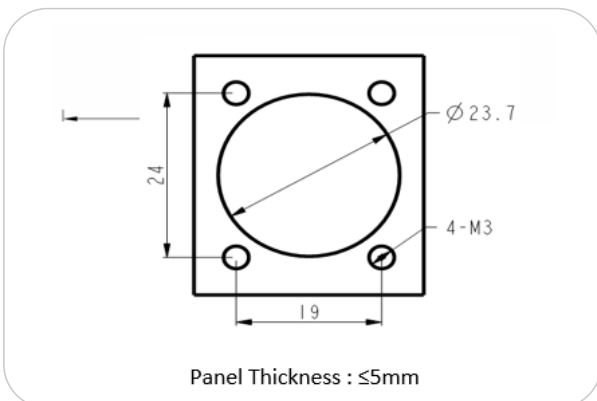
Specifications

Mating Cycle: ≥3000 Times	Voltage Rating: 80V DC	Operating Temperature: -40°C to 105°C	Shell: High Strength Thermoplastic Resin
Pullout Force: <100N	Current Rating: 50A	IP Rating: IP67 Mated And Unmated	Sealing: Silicone Rubber
Wire processing: Crimp	Peak Current: Power 80A 60S	Salt Spray: 48h	Conductor: Copper Alloy, Silver/ Gold Plated
	Withstand Voltage: 1500V AC	Flammability Rating: UL94V-0	
	Insulation Resistance: >100MΩ		

Dimensions



Temperature Curve



Mate 60 2+4 Pin



Application

High Power and Lithium Charging

Advantages

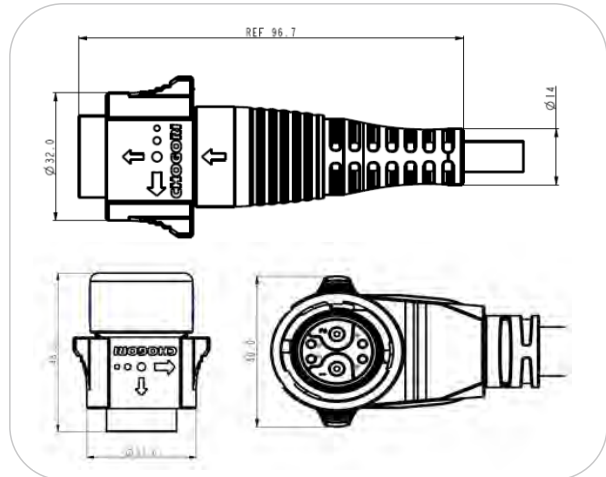
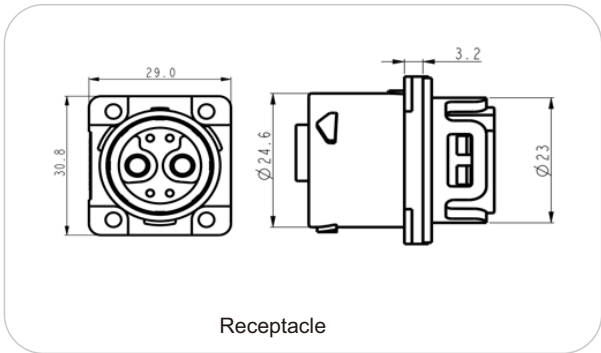
- Push-lock mechanism
- Locking nut with hand grip
- Finger touch proof, IPXXB protection level
- Audible click when lock engaged
- ≥3000 times mating cycles
- RoHS and Reach Compliant



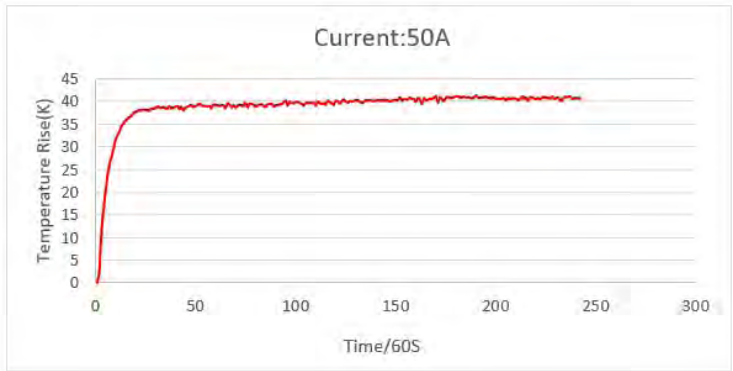
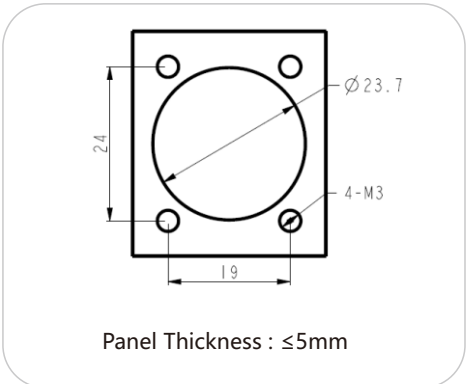
Specifications

Mating Cycle: ≥3000 Times	Voltage Rating: 80V DC	Operating Temperature: -40°C to 105°C	Shell: High Strength Thermoplastic Resin
Pullout Force: <100N	Current Rating: 50A	IP Rating: IP67 Mated And Unmated	Sealing: Silicone Rubber
Wire processing: Crimp	Peak Current: Power 80A 60S	Salt Spray: 48h	Conductor: Copper Alloy, Silver/ Gold Plated
	Withstand Voltage: 1500V AC	Flammability Rating: UL94V-0	
	Insulation Resistance: >100MΩ		

Dimensions



Temperature Curve



Mate 60 2+8 Pin



Application

High Power and Lithium Charging

Advantages

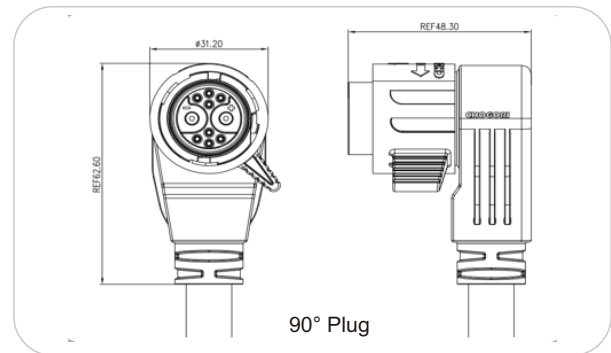
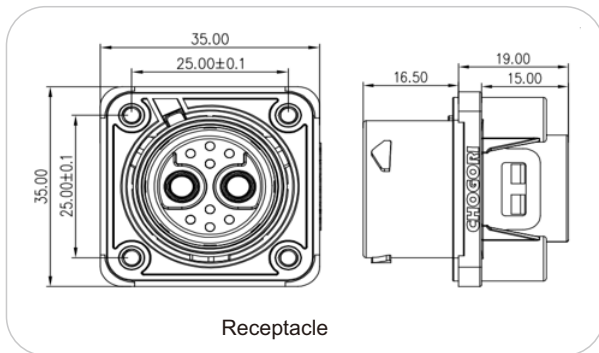
- Push-lock mechanism
- Locking nut with hand grip
- Finger touch proof, IPXXB protection level
- Audible click when lock engaged
- ≥3000 times mating cycles
- RoHS and Reach Compliant



Specifications

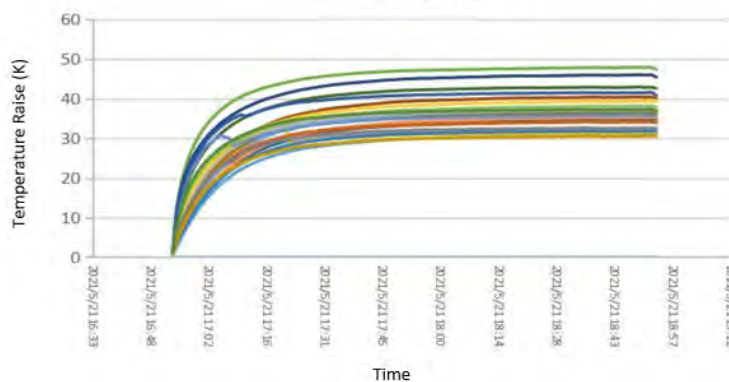
Mating Cycle: ≥3000 Times	Voltage Rating: 60V DC/ AC	Operating Temperature: -40°C to 105°C	Shell: High Strength Thermoplastic Resin
Pullout Force: <100N	Current Rating: 40A	IP Rating: IP67 Mated And Unmated	Sealing: Silicone Rubber
Wire processing: Crimp	Withstand Voltage: 1000V AC	Salt Spray: 48h	Conductor: Copper Alloy, Silver/ Gold Plated
Insulation Resistance: >100MΩ	500V DC	Flammability Rating: UL94V-0	

Dimensions



Temperature Curve

9AWG Wire / 50A Current



KR 2+6 Pin



Application

Charging and discharging of E-bikes/ E-motorcycles and other lithium batteries.

Advantages

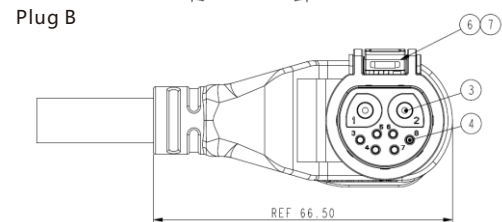
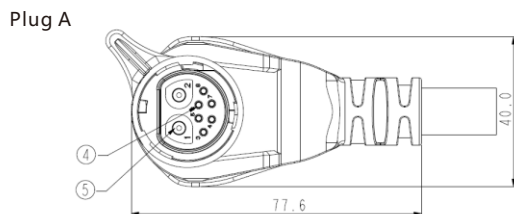
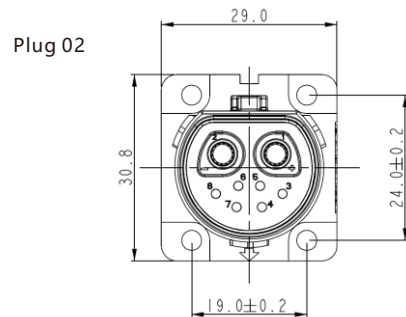
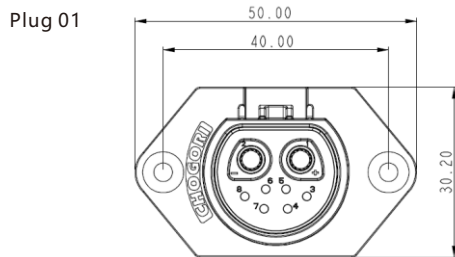
- Three key push lock or latch mechanism
- Finger touch proof IPXXB protection level
- RoHS and Reach Compliant



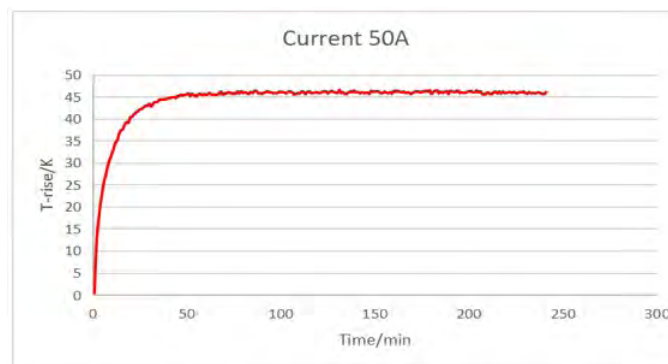
Specifications

Mating Cycle: ≥ 10000 Times	Voltage Rating: 72V	Operating Temperature: -40°C to 105°C	Shell: High Strength Thermoplastic Resin
Mating Force/ Unmating Force: $< 100\text{N}$	Current Rating: 40A+5A	IP Rating: IP67 Mated And Unmated	Sealing: Silicone Rubber
Wire processing: Solder	Withstand Voltage: 1000V AC	Salt Spray: 48h	Conductor: Copper Alloy, Silver/ Gold Plated
	Insulation Resistance: $\geq 100\text{M}\Omega$ @500VDC	Flammability Rating: UL94V-0	

Dimensions



Temperature Curve



High Power and Lithium Charging

Advantages

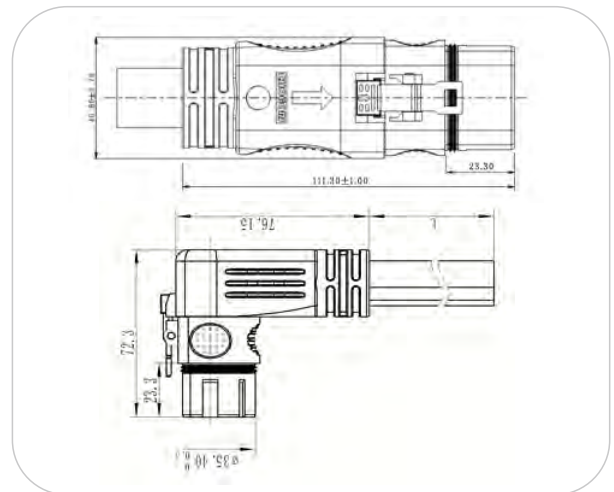
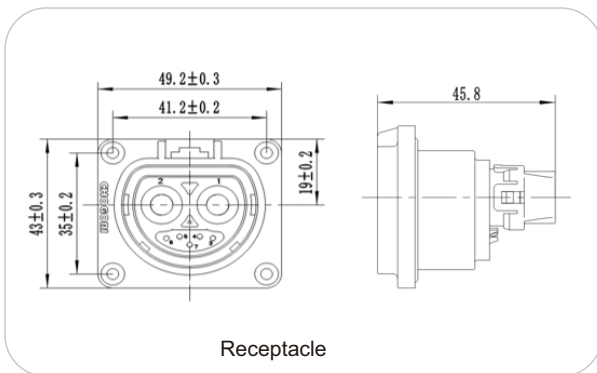
- Snap lock mechanism
- Self-locking button to prevent accidental unlocking
- Up to 6 signal pins
- Audible click when lock engaged
- RoHS and Reach Compliant



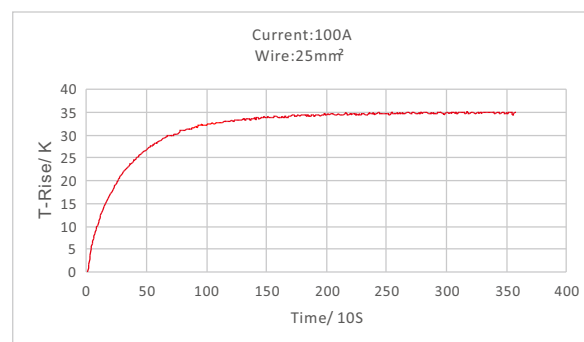
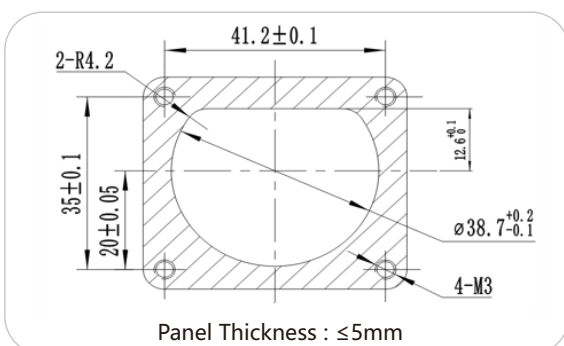
Specifications

Mating Cycle: ≥ 3000 Times	Voltage Rating: 630V DC	Operating Temperature: -40°C to 105°C	Shell: High Strength Thermoplastic Resin
Wire processing: Crimp/ Solder	Current Rating: 100A(Max)	IP Rating: IP66 mated; IP67 panel side	Sealing: Silicone Rubber
	Peak Current: Power 180A 30S	Salt Spray: 48h	Conductor: Copper Alloy, Silver/ Gold Plated
	Withstand Voltage: 2500V AC	Flammability Rating: UL94V-0	
	Insulation Resistance: $>100\text{M}\Omega$		

Dimensions



Temperature Curve



Banga X100

CHOGORI®

Application

High Power and Lithium Charging

Advantages

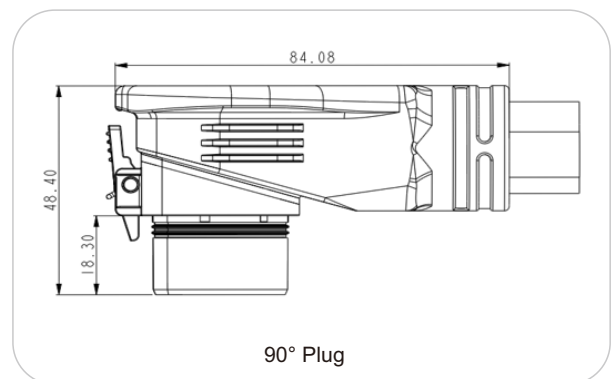
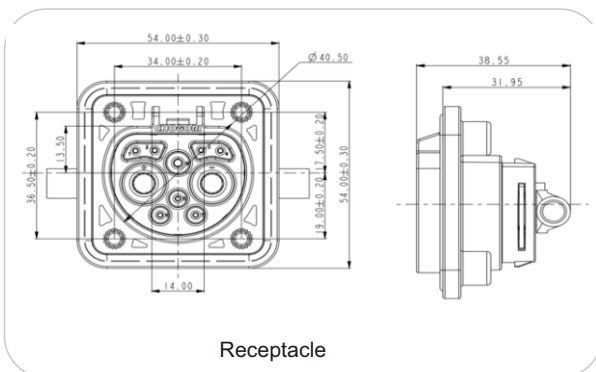
- Snap lock mechanism
- Self-locking button to prevent accidental unlocking
- Up to 6 signal pins
- Audible click when lock engaged
- RoHS and Reach Compliant



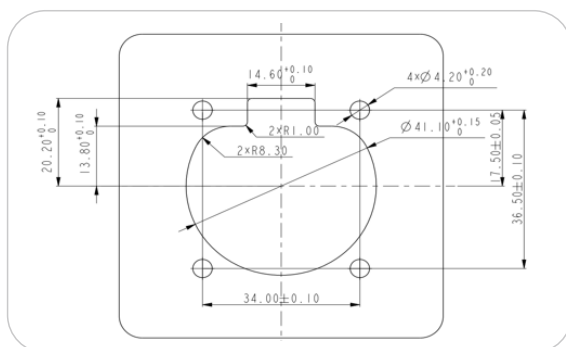
Specifications

Mating Cycle: ≥ 3000 Times	Voltage Rating: 630V DC	Operating Temperature: -40°C to 105°C	Shell: High Strength Thermoplastic Resin
Wire processing: Crimp/ Solder	Current Rating: 100A(Max)	IP Rating: IP66 mated; IP67 panel side	Sealing: Silicone Rubber
	Peak Current: Power 180A 30S	Salt Spray: 48h	Conductor: Copper Alloy, Silver/ Gold Plated
	Withstand Voltage: 2500V AC	Flammability Rating: UL94V-0	
	Insulation Resistance: $>100\text{M}\Omega$		

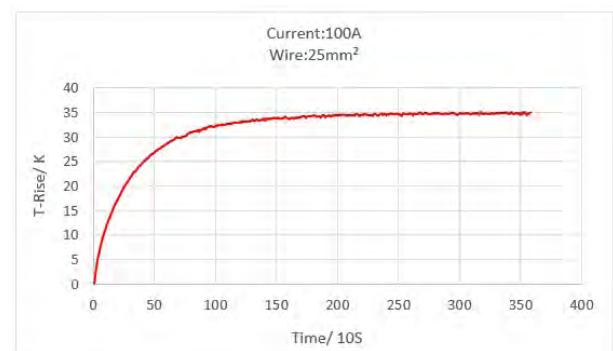
Dimensions



Temperature Curve



Panel Thickness : $\leq 5\text{mm}$



KL 08



Application

High Power and Lithium Charging

Advantages

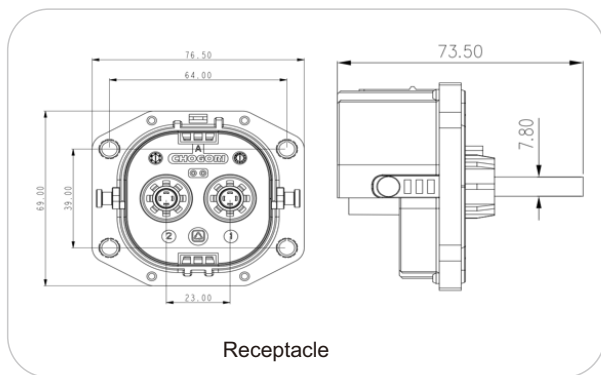
- Compact size
- 180° and 90° plugs are available
- HVIL (Hazardous Voltage Interlock Loop) with secondary lock catch
- Shielded
- Suitable for medium/ large vehicles
- RoHS and Reach Compliant



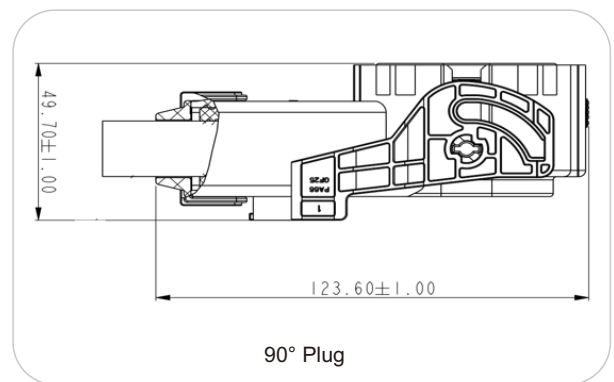
Specifications

Mating Cycle: ≥ 100 Times	Voltage Rating: 1000V DC	Operating Temperature: -40°C to 105°C	Shell: High Strength Thermoplastic Resin
Wire processing: Crimp/ Solder	Current Rating: 200A(Max)	IP Rating: IP66 mated; IP67 panel side	Sealing: Silicone Rubber
	Withstand Voltage: 3000V AC	Salt Spray: 48h	Conductor: Copper Alloy, Silver/ Gold Plated
	Insulation Resistance: $>100\text{M}\Omega$	Flammability Rating: UL94V-0	

Dimensions

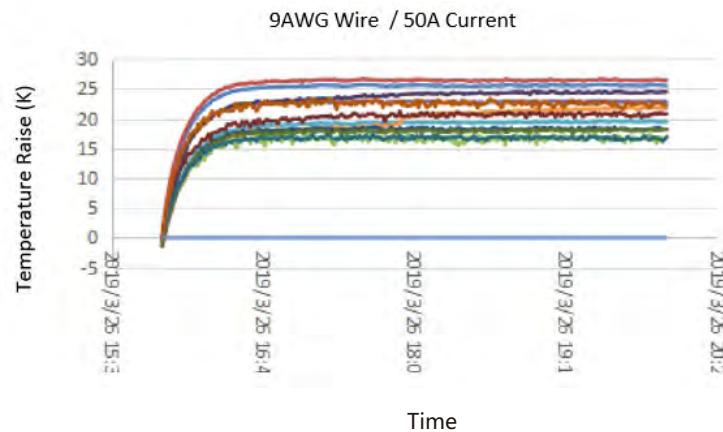


Receptacle



90° Plug

Temperature Curve



FC 04 2+10 Pin



Application

E-scooter and E-motorcycle discharge, swappable battery applications

Advantages

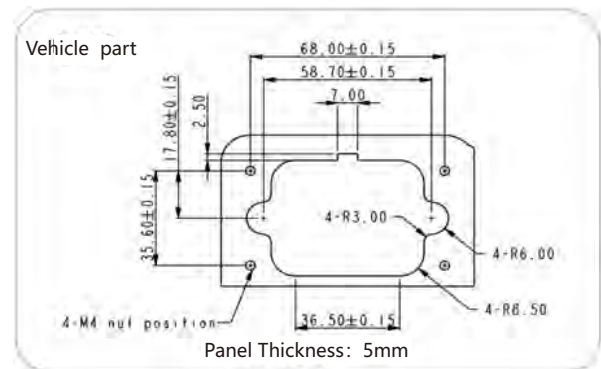
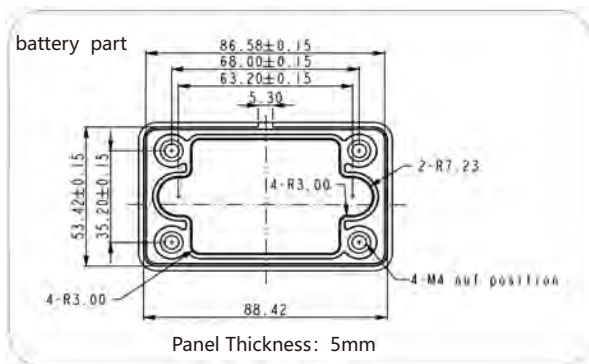
- 2 power +10 signal pins layout
- 1mm self-floating pogo pins
- 5.7mm Newsok power terminal-Chogori Patented technology with high reliability, high current transmission capacity
- ≥5000 times mating cycles
- RoHS and Reach Compliant



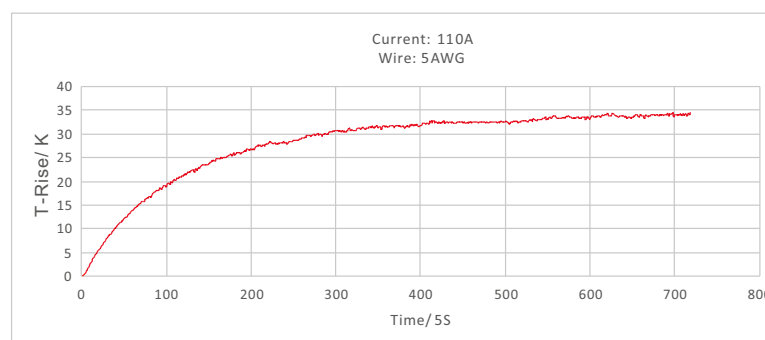
Specifications

Mating Cycle: ≥5000 Times	Voltage Rating: 120V DC	Operating Temperature: -40°C to 105°C	Shell: High Strength Thermoplastic Resin
Pullout Force: <100N	Current Rating: Power 100A	IP Rating: IP67 Battery Side	Sealing: Silicone Rubber
Wire processing: Crimp/ Solder	Signal 2.5A	Salt Spray: 48h	Conductor: Copper Alloy, Silver/ Gold Plated
	Withstand Voltage: 1500V AC	Flammability Rating: UL94V-0	Guide Pin: Stainless Steel
	Insulation Resistance: >500MΩ		

Dimensions



Temperature Curve



FC 09 3+10 Pin

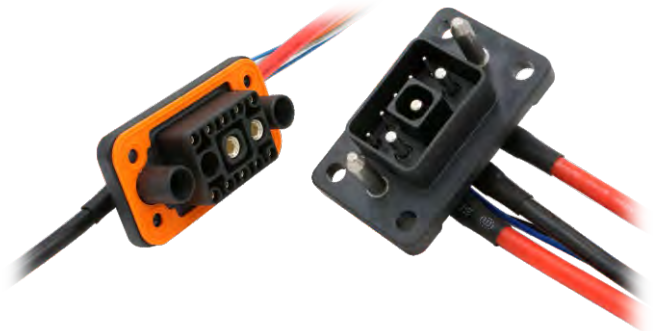


Application

E-scooter and E-motorcycle discharge, swappable battery applications

Advantages

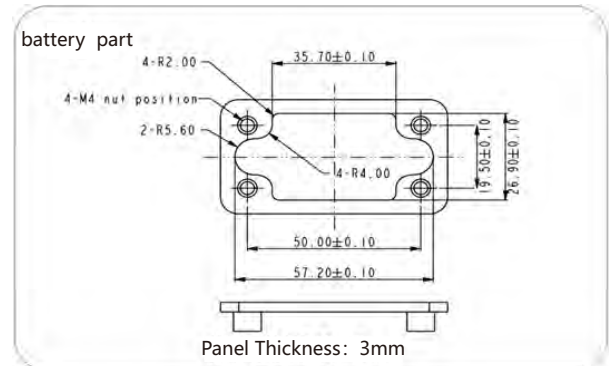
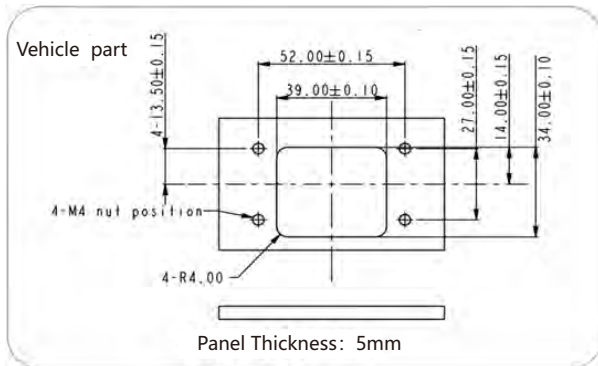
- 3 power + 10 signal pins layout
- 1mm self-floating pogo pins
- 3.6mm Newsok power terminal - Chogori Patented technology with high reliability, high current transmission capacity
- Bi-direction insertion
- ≥5000 times mating cycles
- RoHS and Reach Compliant



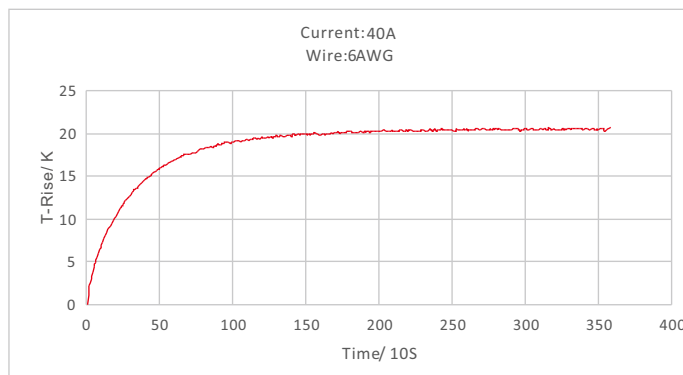
Specifications

Mating Cycle: ≥5000 Times	Voltage Rating: 72V DC	Operating Temperature: -40°C to 105°C	Shell: High Strength Thermoplastic Resin
Pullout Force: <100N	Current Rating: Power 40A	IP Rating: IP67 Battery Side	Sealing: Silicone Rubber
Wire processing: Crimp/Solder	Signal 5A	Salt Spray: 48h	Conductor: Copper Alloy, Silver/ Gold Plated
	Peak Current: Power 60A 30S	Flammability Rating: UL94V-0	Guide Post: Stainless Steel
	Withstand Voltage: 1500V AC		
	Insulation Resistance: >200MΩ		

Dimensions



Temperature Curve



Micro-A 2-6 Pin



Application

Signal connectors for harsh environments

Advantages

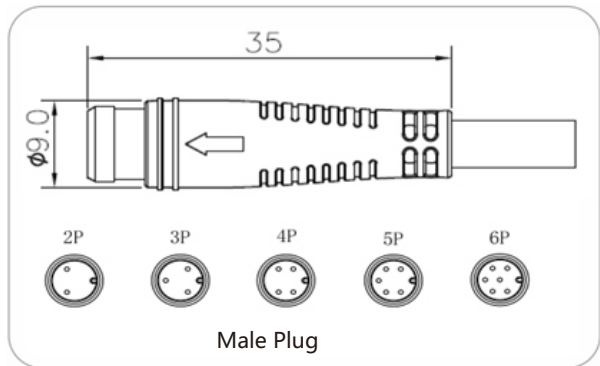
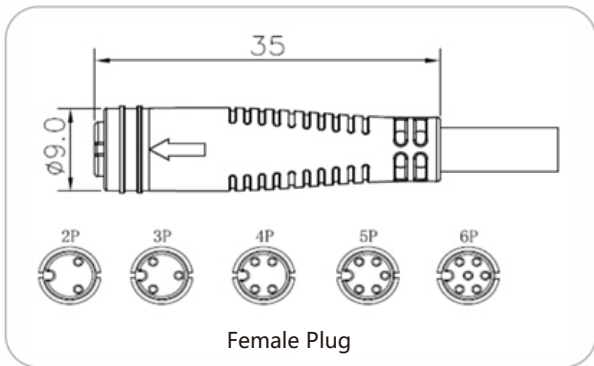
- Quick connect and disconnect
- Small size
- Overmolding structure, clean and flexible
- RoHS and Reach Compliant



Specifications

Mating Cycle: ≥ 200 Times	Voltage Rating: 48V AC, 60V DC	Operating Temperature: -25°C to 80°C	Shell: TPU
Pullout Force: $> 30\text{N}$	Current Rating: 2A	IP Rating: IP67 Mated	Conductor: Copper Alloy, Gold Plated
Wire processing: Solder	Withstand Voltage: 500V AC	Salt Spray: 48h	Wire Gauge: 2-4Pin 24AWG/0.2mm ²
	Insulation Resistance: $> 20\text{M}\Omega$	Flammability Rating: UL94V-0	5-6 Pin 26AWG/0.14mm ²

Dimensions



Application Pictures



Dream 7 Pin

Application

Signal connectors for harsh environments

Advantages

- Quick connect
- Small size
- Overmolding structure, clean and flexible
- RoHS and Reach Compliant



Specifications

Mating Cycle: ≥ 200 Times

Voltage Rating: 60V DC

Operating Temperature: -25°C to 80°C

Shell: TPU

Pullout Force: $> 30\text{N}$

Current Rating: 2A

IP Rating: IP67 Mated

Conductor: Copper Alloy, Gold Plated

Wire processing: Solder

Withstand Voltage: 500V DC

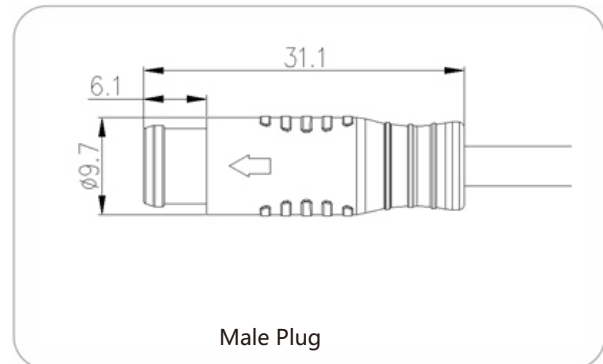
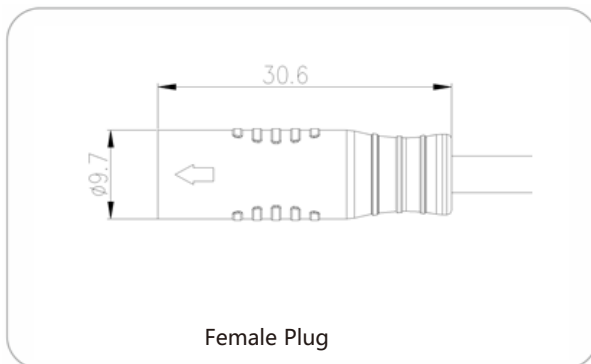
Salt Spray: 48h

Wire Gauge: 26AWG/0.14mm²

Insulation Resistance: $> 20\text{M}\Omega$

Flammability Rating: UL94V-0

Dimensions



Dream 11 Pin



Application

Signal connectors for harsh environments

Advantages

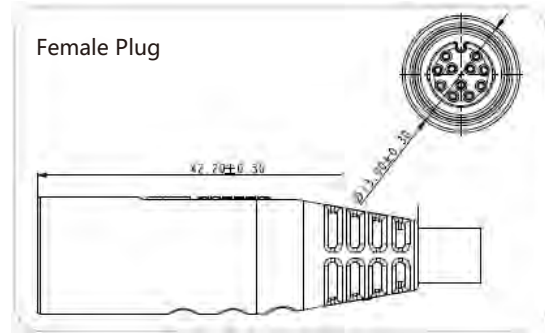
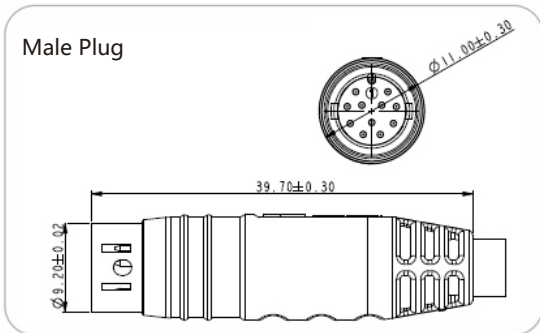
- Quick connect
- Small size
- Overmolding structure, clean and flexible
- RoHS and Reach Compliant



Specifications

Mating Cycle: ≥ 100 Times	Voltage Rating: 60V DC	Operating Temperature: -25°C to 85°C	Shell: Nylon
Mating force/ Unmating force: $< 80\text{N}$	Current Rating: 1.5A	IP Rating: IP66 Mated	Contact: Copper Alloy, Gold Plated
Wire processing: Solder	Withstand Voltage: 250V AC/ 60S	Salt Spray: 48h	Wire Gauge: 26AWG/ 0.14mm ²
	Insulation Resistance: $\geq 100\text{M}\Omega/ 250\text{V DC}, 60\text{S}$	Flammability Rating: UL94V-0	

Dimensions



2-Core Coaxial



Application

Signal connectors for harsh environments

Advantages

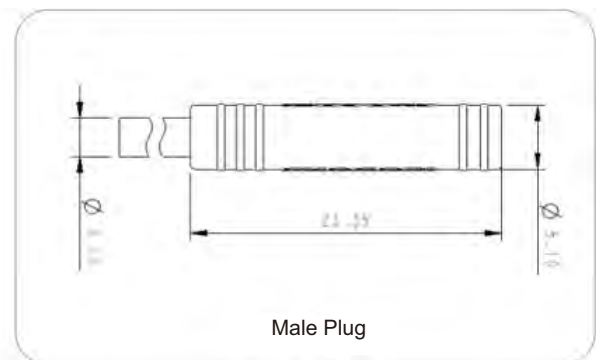
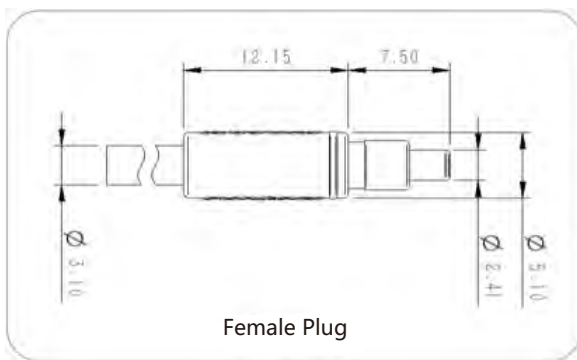
- Quick connect
- Small size
- Overmolding structure, clean and flexible
- RoHS and Reach Compliant



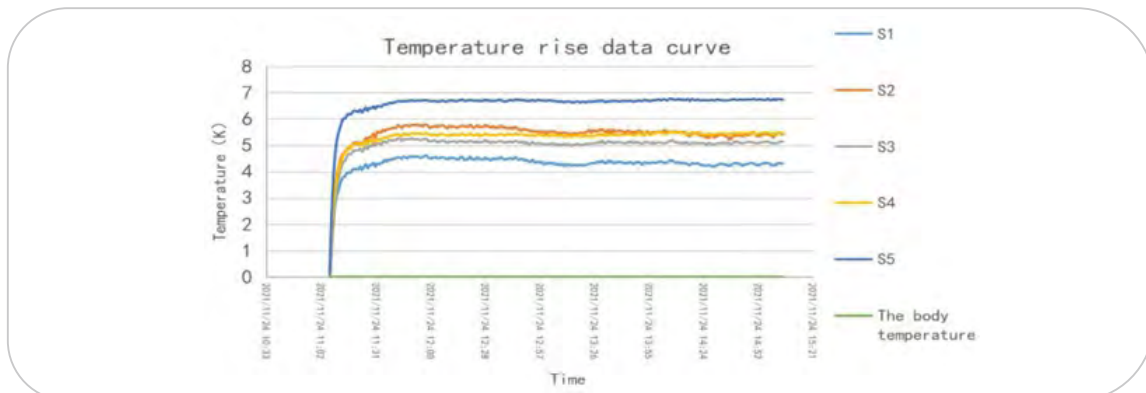
Specifications

Mating Cycle: ≥ 200 Times	Voltage Rating: 48V DC	Operating Temperature: -25°C to 105°C	Shell: LCP
Mating force/ Unmating Force: $> 20\text{N}$	Current Rating: 2A	IP Rating: IP66 Mated	Conductor: Copper Alloy, Gold Plated
Wire processing: Solder	Peak Current: 10A 30S	Salt Spray: 48h	Wire Gauge: 2* 26AWG/ 0.14mm ²
	Withstand Voltage: 500V AC	Flammability Rating: UL94V-0	
	Insulation Resistance: $> 20\text{M}\Omega$		

Dimensions



Temperature Curve



Dream Motor 3+6 Pin



Application

E-bike signal connectors for harsh environments

Advantages

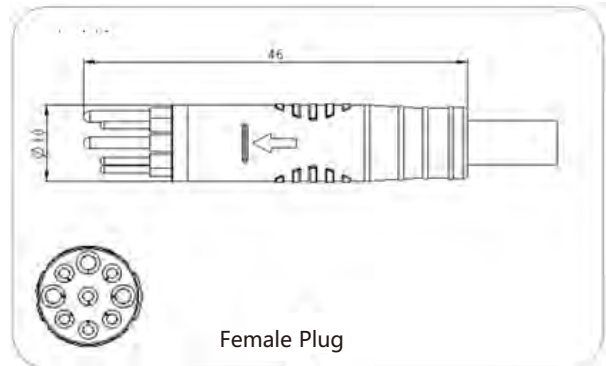
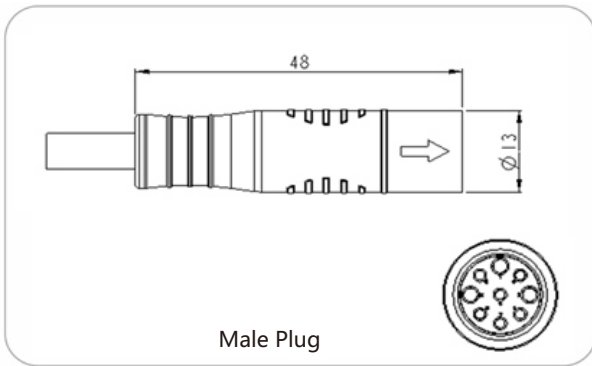
- Quick connect
- Small size
- Motor three-phase wires and signal wires combination
- Plug with protective cover
- RoHS and Reach Compliant



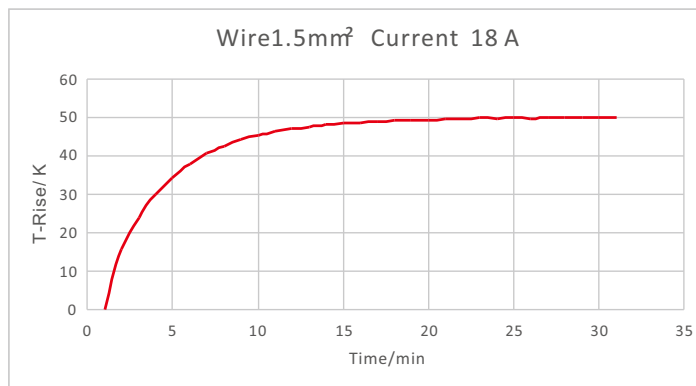
Specifications

Mating Cycle: ≥ 200 Times	Voltage Rating: 48V AC	Operating Temperature: -25°C to 80°C	Shell: Nylon
Pullout Force: <90N	Current Rating: 15A	IP Rating: IP66 Mated	Conductor: Copper Alloy, Gold Plated
Wire processing: Solder	Peak Current: 18A 30S	Salt Spray: 48h	Wire Gauge: Max3*16AWG/ 1.5mm ²
	Withstand Voltage: 700V AC	Flammability Rating: UL94V-0	+6* 26AWG/ 0.14mm ²
	Insulation Resistance: >20M Ω		

Dimensions



Temperature Curve





Chogori Technology Co., Ltd.

Building E, Zhonggangxing Industrial Zone, Zhangge Village,
Fucheng, Longhua District, Shenzhen, China.

www.chogori-tech.com