

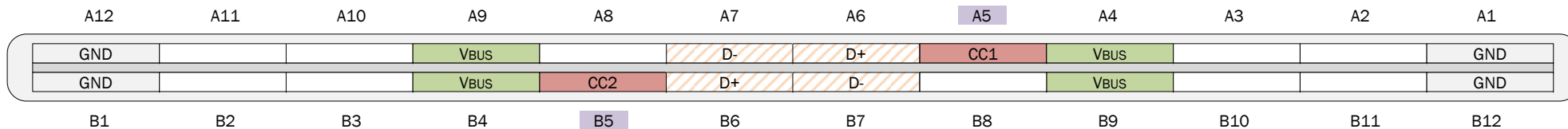
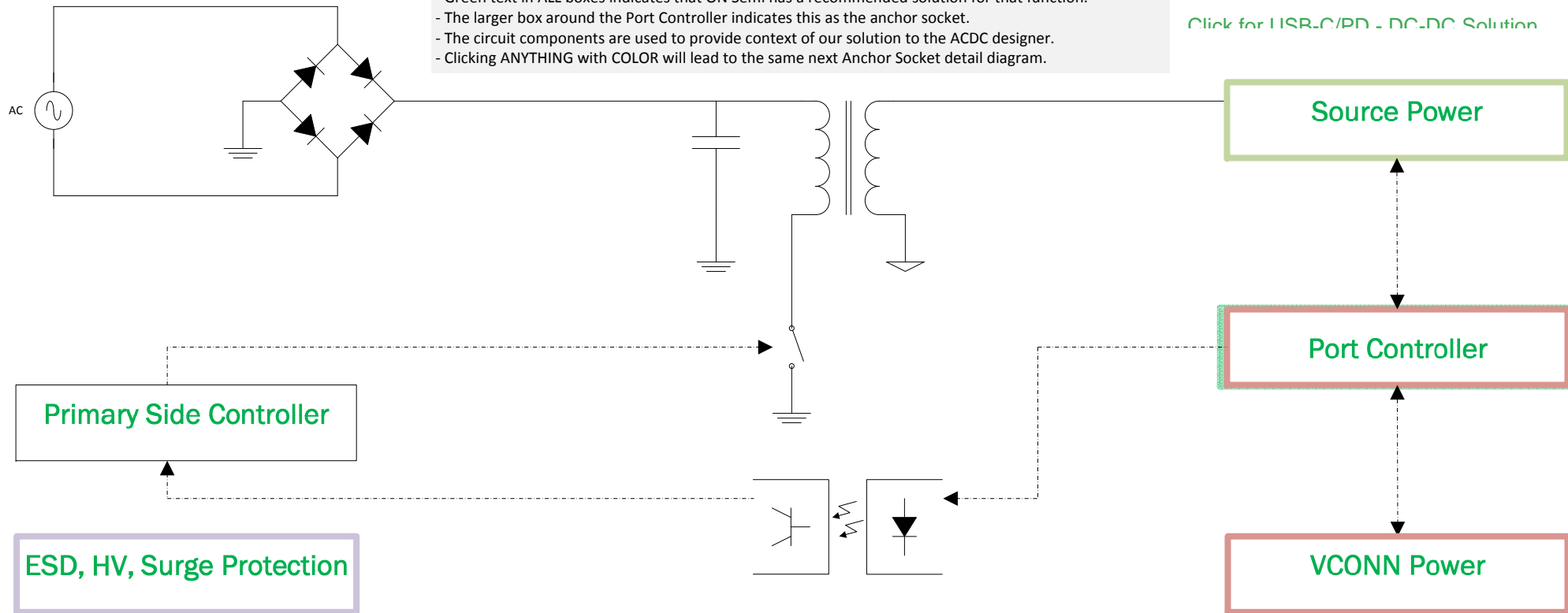
# USB Tvne-C/PD AC-DC Solution

## About this diagram

- The green glow added to the Port Controller box indicates it as the Anchor Socket.
- Colored outline of boxes associates that function with the Type-C receptacle marked by the same color.
- Boxes with black outline do not interface with the Type-C receptacle.
- Green text in ALL boxes indicates that ON Semi has a recommended solution for that function.
- The larger box around the Port Controller indicates this as the anchor socket.
- The circuit components are used to provide context of our solution to the ACDC designer.
- Clicking ANYTHING with COLOR will lead to the same next Anchor Socket detail diagram.

[Click for Strata AC-DC Solution](#)

[Click for USB-C/PD - DC-DC Solution](#)

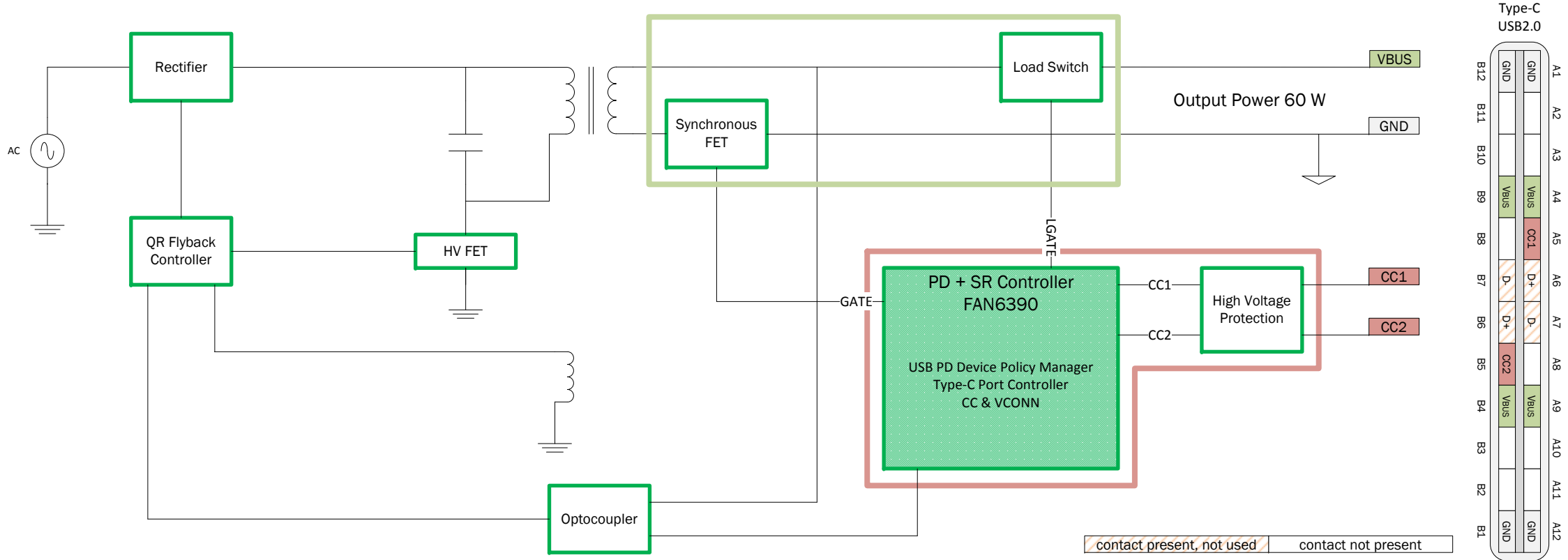


Type-C USB 2.0 Receptacle

contact present, not used contact not present

**About this diagram**

- The green fill & part number detail of the Port Controller box indicates it as the Anchor Socket.
- The boxes grouped by color outline associates that function with the Type-C receptacle marked by the same color.
- Clicking any box with a green outline will lead to ON Semiconductor datasheet recommendations for that function.
- Boxes with black outline do not lead to an ON Semiconductor recommended data sheet.
- The circuit components are used to provide context of our solution to the ACDC designer.



Type-C USB2.0

B12	GND	A1	GND
B11		A2	
B10		A3	
B9	Vbus	A4	Vbus
B8		A5	CC1
B7	D-	A6	D+
B6	D+	A7	D-
B5	CC2	A8	CC2
B4	Vbus	A9	Vbus
B3		A10	
B2		A11	
B1	GND	A12	GND

contact present, not used    contact not present